



## Features

- 8" Industrial Compact Size Panel PC
- Intel Celeron N2930(1.83GHz) CPU built-in / Atom E3845(1.91GHz) for option
- Onboard 4GB DDR3L 1333MHz/8GB(option)
- Flat Front Panel Touch Screen and Fanless Design
- DC 9~36V Wide-Ranging Power Input
- IP66 Compliant Front Panel
- Optional Projected Capacitive Touch Screen Support 7H Anti-Scratch Surface
- High Brightness 1,000 nits for Option

## Specifications

| System         |  |
|----------------|--|
| CPU            | Onboard Intel Celeron N2930(1.83GHz)<br>Onboard Intel Atom E3845(1.91GHz) for option |
| System Chipset | SoC  |
| Memory         | Onboard 4GB DDR3L 1333MHz/8GB(option)  |

| I/O Port          |  |
|-------------------|--|
| USB               | 2 x USB 3.0 type A   |
| Serial / Parallel | 1 x DB-9 RS-232/422/485, COM1 (Default RS-232)<br>1 x RS-232 DB-9, COM2          |
| Audio             | 1 x Audio Line Out   |
| LAN               | 2 x GbE LAN RJ-45  |
| Power             | 1 x 3-pin DC power input terminal<br>1 x 2-pin connector for power on/off button |

| Storage Space  |   |
|----------------|---|
| HDD            | 1 x MO-297 SATA SSD bay (Easy Accessible) |
| Movable Device | 1 x SD card slot, up to 32GB              |

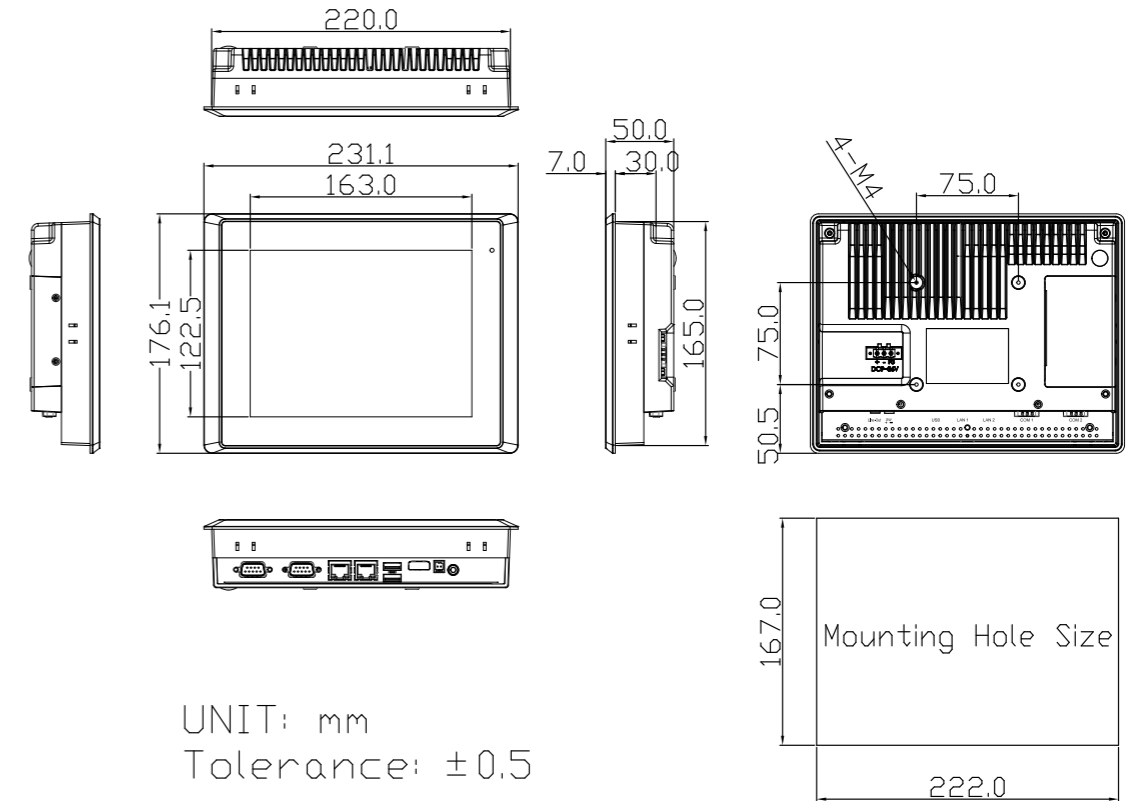
| Expansion      |                                       |
|----------------|---------------------------------------|
| Expansion Slot | 1 x Internal Mini-PCIe slot full size |

| Display                        | Standard        | High Brightness Optional |
|--------------------------------|-----------------|--------------------------|
| Display Type                   | 8" TFT-LCD      | 8" TFT-LCD               |
| Max. Resolution                | 800 x 600       | 800 x 600                |
| Max. Color                     | 16.2M           | 16.2M                    |
| Luminance (cd/m <sup>2</sup> ) | 350             | 1000                     |
| View Angle                     | 140(H) / 125(V) | 140(H) / 125(V)          |
| Contrast                       | 500:1           | 500:1                    |
| Backlight Lifetime             | 40,000 hrs      | 40,000 hrs               |

| Touch Screen          |  |
|-----------------------|--|
| Type                  | Resistive Touch Window<br>Projected Capacitive Touch (For P Model)       |
| Interface             | USB  |
| Light Transmission(%) | Resistive Touch Window: over 80%<br>Projected Capacitive Touch: over 90% |

| Power             |                   |
|-------------------|-------------------|
| Power Input       | DC 9~36V          |
| Power Consumption | ADI-HMI-808P: 23W |

## Dimensions



| Mechanical         |                              |
|--------------------|------------------------------|
| Color              | RAL 9007                     |
| Construction       | Aluminum Die-casting Chassis |
| Mounting           | Panel Mount, VESA 75 x 75    |
| Dimensions (WxHxD) | 231mm x 176mm x 50mm         |
| IP Rating          | IP66 Compliant Front Bezel   |
| Net Weight         | 1.9 kg                       |

| Environmental         |                                 |
|-----------------------|---------------------------------|
| Operating Temperature | 0~50°C                          |
| Storage Temperature   | -30~70°C                        |
| Storage Humidity      | 10 to 90%@ 40°C, non-condensing |
| Certificate           | CE/FCC Class A/CB/UL            |

| Operating System Support                  |  |
|---|--|
| Windows 7, WEC 7, Windows 8.1, Windows 10 |  |

| Ordering Information |   |
|----------------------|---|
| ADI-HMI-808-01       | 8" SVGA Fanless HMI barebone with Intel Celeron N2930 1.83GHz CPU, 4GB DDR3L RAM, Resistive touch screen, DC 9~36V input with adapter, Aluminum chassis   |
| ADI-HMI-808P-01      | 8" SVGA Fanless HMI barebone with Intel Celeron N2930 1.83GHz CPU, 4GB DDR3L RAM, Projected capacitive touch screen, DC 9~36V input with adapter, Aluminum chassis                                |
| ADI-HMI-808H-01      | 8" SVGA Fanless HMI barebone with Intel Celeron N2930 1.83GHz CPU, 4GB DDR3L RAM, Resistive touch screen, DC 9~36V input with adapter, Aluminum chassis, High brightness 1,000nits LCD            |
| ADI-HMI-808PH-01     | 8" SVGA Fanless HMI barebone with Intel Celeron N2930 1.83GHz CPU, 4GB DDR3L RAM, Projected capacitive touch screen, DC 9~36V input with adapter, Aluminum chassis, High brightness 1,000nits LCD |



**ADITECH ICT PRIVATE LIMITED**  
803, Sigma IT Park, Plot No R203/204,  
Plot No R203/204,  
TTC Industrial Area  
Rabale, Navi Mumbai - 400701  
Tel : +91 9819884527  
Email : [sales@aditech.in](mailto:sales@aditech.in)  
Website : [www.aditech.in](http://www.aditech.in)