

## Features

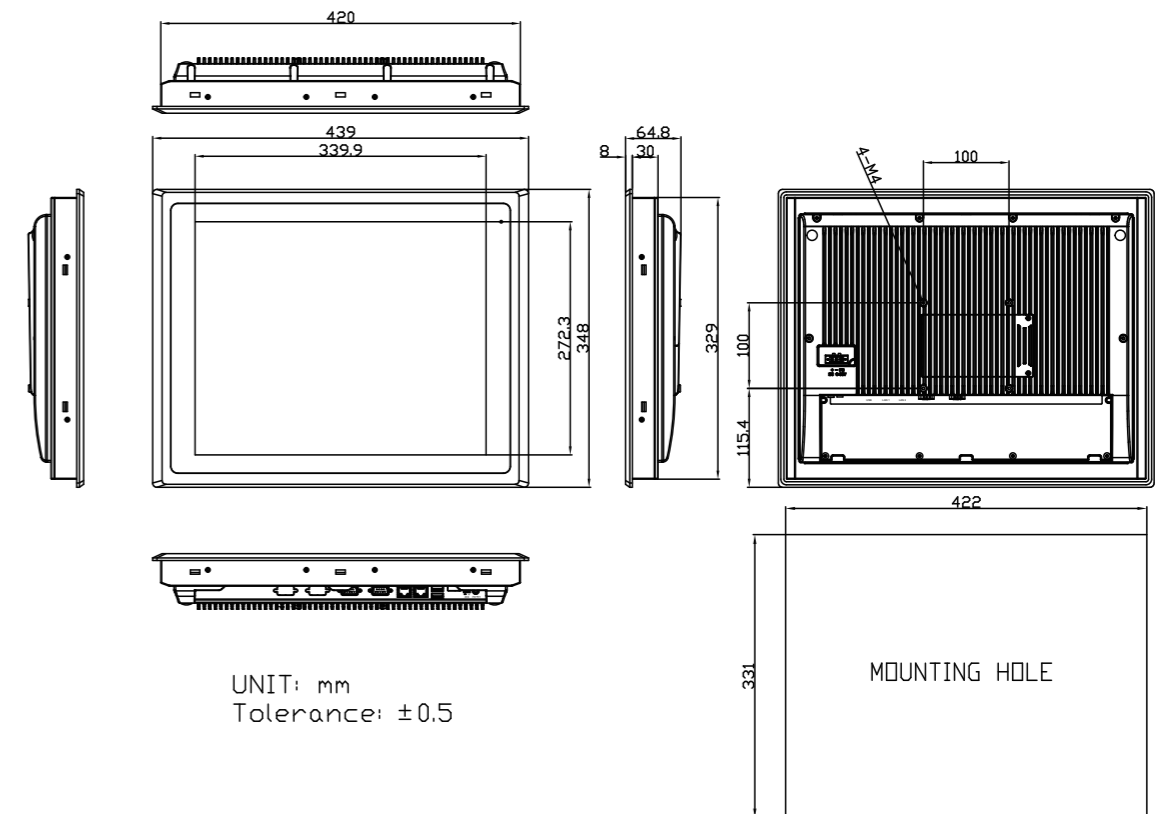
- 17" Industrial Compact Size Panel PC
- Flat front panel touch screen
- Fanless design
- Intel Celeron N2930(1.83GHz) CPU built-in
- Onboard 4GB DDR3L 1333 MHz/8GB(option)
- Wide range DC 9~36V power input
- IP66 compliant front panel
- Optional projected capacitive touch screen support 7H anti-scratch surface
- High brightness 1,000nits LCD for ARCHMI-817(P)H
- Optical bonding for option
- Auto dimming for option for ARCHMI-817(P)H



## Specifications

| System                         |   |                 |
|--------------------------------|---|-----------------|
| CPU                            | Onboard Intel Celeron N2930(1.83GHz) Processor  |                 |
| System Chipset                 | SoC   |                 |
| Memory                         | Onboard 4GB DDR 3L 1333 MHz/8GB(option)   |                 |
| IO Port                        |   |                 |
| USB                            | 2 x USB 3.0 type A  |                 |
| Serial/Parallel                | 1 x RS-232 DB-9, COM2<br>1 x RS-232/422/485 DB-9, COM1, default RS-232  |                 |
| Audio                          | 1 x Audio Line Out  |                 |
| LAN                            | 2 x GbE LAN RJ-45 with Intel 82574L controller  |                 |
| Power                          | 1 x 3-pin DC power input terminal<br>1 x 2-pin connector for power on/off button  |                 |
| Option                         | 2 x RS-232 DB-9 + 1 x Mini-PCIe slot via TB-528C2ME1<br>2 x CAN bus via TB-528CAN2<br>2 x USB 2.0 type A Via TB-528U2<br>2 x USB 2.0 type A + 1 x RS-232 DB-9 + 1 x Power button via TB-528C1U2P1<br>UPS Battery 21W/10.8V/1.95Ah(3S1P) |                 |
| Storage Space                  |   |                 |
| HDD                            | 1 x SATA 2.5" HDD bay for SATA HDD (easy accessible)  |                 |
| movable device                 | 1 x SD card slot, up to 32GB  |                 |
| Expansion                      |   |                 |
| Expansion Slot                 | 1 x Internal Mini-PCIe slot full size   |                 |
| Display                        |   |                 |
|                                | ARCHMI-817(P)   | ARCHMI-817(P)H  |
| Display Type                   | 17" TFT-LCD   | 17" TFT-LCD     |
| Max. Resolution                | 1280 x 1024   | 1280 x 1024     |
| Max. Color                     | 16.2M   | 16.7M           |
| Luminance (cd/m <sup>2</sup> ) | 350   | 1000            |
| Viewing Angle                  | 170(H) / 160(V)   | 170(H) / 160(V) |
| Contrast Ratio                 | 1000 : 1  | 1000 : 1        |
| Backlight Lifetime             | 30,000 Hrs  | 50,000 Hrs      |
| Touch Screen                   |   |                 |
| Type                           | Resistive Touch Window<br>Projected Capacitive Touch (For P Model)  |                 |
| Interface                      | USB   |                 |
| Light Transmission(%)          | Resistive Touch Window: over 80%<br>Projected Capacitive Touch: over 90%  |                 |
| Power                          |   |                 |
| Power Input                    | DC 9~36V  |                 |
| Power Consumption              | ADI-HMI-817: MAX: 22.1W / ADI-HMI-817P: MAX: 20.5W<br>ADI-HMI-817H: MAX: TBD / ADI-HMI-817PH: MAX: TBD  |                 |

## Dimensions



## Mechanical

|              |  |
|--------------|--|
| Color        | RAL 9007                                     |
| Construction | Aluminum Die-casting Front Bezel and Chassis |
| Mounting     | Panel Mounting, VESA 100 x 100               |
| IP Rating    | IP66 compliant front bezel                   |
| Dimensions   | 439 x 348 x 64.8 mm                          |
| Net Weight   | ARCHMI-817(P): 6 Kg<br>ARCHMI-817(P)H: TBD   |

## Environmental

|                       |                                 |
|-----------------------|---------------------------------|
| Operating Temperature | 0~50°C                          |
| Storage Temperature   | -20~60°C                        |
| Storage Humidity      | 10 to 90%@ 40°C, non-condensing |
| Certificate           | CE / FCC CLASS A / UL           |

## Operating System Support

Windows Embedded Compact 7, Windows Embedded Standard 7, Windows 7 Pro(FES), Windows 7 Ultimate(FES), Windows Embedded 8 Standard, Windows Embedded 8.1 Industry Pro, Windows 10 IoT Enterprise 2015LTSP

## Ordering Information

|                  |  |
|------------------|--|
| ADI-HMI-817-01   | 17" SXGA Fanless HMI barebone with Intel Celeron N2930 1.83GHz CPU, 2GB DDR3L RAM, Resistive touch screen, DC 9~36V input with adapter, Aluminum chassis   |
| ADI-HMI-817P-01  | 17" SXGA Fanless HMI barebone with Intel Celeron N2930 1.83GHz CPU, 2GB DDR3L RAM, Projected capacitive touch screen, DC 9~36V input with adapter, Aluminum chassis                                |
| ADI-HMI-817H-01  | 17" SXGA Fanless HMI barebone with Intel Celeron N2930 1.83GHz CPU, 4GB DDR3L RAM, Resistive touch screen, DC 9~36V input with adapter, Aluminum chassis, High brightness 1,000nits LCD            |
| ADI-HMI-817PH-01 | 17" SXGA Fanless HMI barebone with Intel Celeron N2930 1.83GHz CPU, 4GB DDR3L RAM, Projected capacitive touch screen, DC 9~36V input with adapter, Aluminum chassis, High brightness 1,000nits LCD |



**ADITECH ICT PRIVATE LIMITED**  
803, Sigma IT Park, Plot NoR203/204,  
Plot No R203/204,  
TTC Industrial Area  
Rabale , Navi Mumbai - 400701  
Tel : +91 9819884527  
Email : [sales@aditech.in](mailto:sales@aditech.in)  
Website : [www.aditech.in](http://www.aditech.in)