



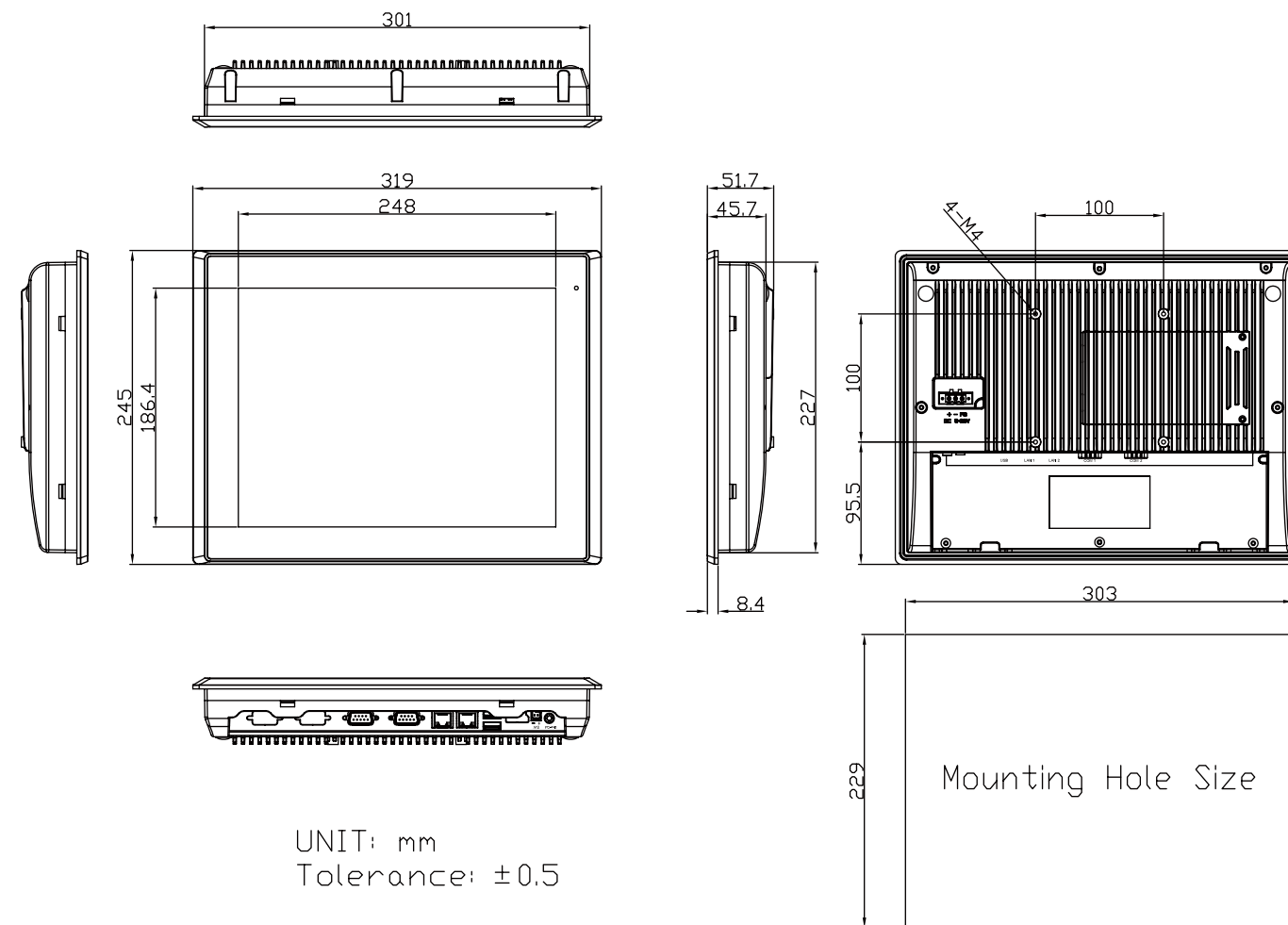
Features

- 12.1" Industrial Compact Size Panel PC
- Intel 6th Gen. Core i3(standard) / i5(option) CPU built-in
- 1 x 260Pin SO-DIMM DDR4 up to 16GB 2133MHz
- Flat Front Panel Touch Screen
- Fanless Design
- DC 9~36V Wide-Ranging Power Input
- Optional Projected Capacitive Touch Screen Support 7H Anti-Scratch Surface
- High Brightness 1,000 nits for Option

Specifications

System		
CPU	Onboard Intel 6th Gen. Core i3 CPU Processors/ i5(option)	
System Chipset	SoC	
Memory	1 x 260Pin SO-DIMM DDR4 up to 16GB 2133MHz	
I/O Port		
USB	2 x USB 3.0 type A	
Serial / Parallel	1 x DB-9 RS-232/422/485, COM1 (Default RS-232) 1 x RS-232 DB-9, COM2	
Audio	1 x Audio Line Out	
LAN	2 x GbE LAN RJ-45	
Power	1 x 3-pin DC Power input terminal 1 x 2-Pin Power Switch	
Option	2 x RS-232 DB-9 + 1 x Mini-PCIe slot via TB-528C2ME1 2 x CAN bus via TB-528CAN2 2 x USB 2.0 type A + 1 x Mini-PCIe slot + 1xRS-232 DB-9 via TB-528C1U2P1 4 x USB 2.0 type A via TB-528U4 UPS battery 21Wh/10.8V/1.95Ah(3S1P) UPS Battery and TB-528 expansion board can't be used in the same time	
Storage Space		
HDD	1 x 2.5" SATA HDD bay for SATA3 HDD (Easy Accessible)	
Expansion		
Expansion Slot	1 x Internal Mini-PCIe slot full size	
Display		
	Standard	High Brightness Optional
Display Type	12.1" TFT LCD	12.1" TFT LCD
Max. Resolution	800 x 600 1024 x 768 (optional)	800 x 600 1024 x 768 (optional)
Max. Color	262K / 16.2M (optional)	262K / 16.2M (optional)
Luminance (cd/m ²)	450 / 500 (optional)	1000
View Angle	160(H) / 150(V) 160(H) / 140(V) (optional)	178(H) / 178(V) 160(H) / 140(V) (optional)
Contrast	800:1 / 700:1 (optional)	700:1
Backlight Lifetime	50,000 hrs 30,000 hrs (optional)	50,000 hrs
Option	Optical bonding	Optical bonding
Touch Screen		
	Resistive Touch	Projected Capacitive Touch
Interface	USB	USB
Light Transmission(%)	Over 80%	Over 90%
Power		
Power Input	DC 9~36V	
Power Consumption	ADI-HMI-912A: 45.54W	

Dimensions



Mechanical	
Color	RAL 9007
Construction	Aluminum die-casting chassis
Mounting	Panel Mount, VESA 100 x 100
Dimensions (WxHxD)	319mm x 245mm x 51.7mm
IP Rating	Front Panel IP66
Net Weight	2.8 kg

Environmental	
Operating Temperature	0~50°C
Storage Temperature	-30~70°C
Storage Humidity	10 to 90%@ 40°C, non-condensing
Certificate	CE / FCC, Class A

Operating System Support	
Windows 7 64 bit / Windows 8 64 bit / Windows 10 IoT 64 bit	

Ordering Information	
ADI-HMI-912A-01	12.1" SVGA Fanless HMI barebone with Intel Core i3 CPU, 4GB DDR4 RAM, Resistive touch screen, 9~36V DC input with adapter, Aluminum chassis
ADI-HMI-912AP-01	12.1" SVGA Fanless HMI barebone with Intel Core i3 CPU, 4GB DDR4 RAM, Projected Capacitive touch screen, 9~36V DC input with adapter, Aluminum chassis



ADITECH ICT PRIVATE LIMITED
 803, Sigma IT Park, Plot NoR203/204,
 Plot No R203/204,
 TTC Industrial Area
 Rabale , Navi Mumbai - 400701
 Tel : +91 9819884527
 Email : sales@aditech.in
 Website : www.aditech.in