

Features

- 15" Industrial Compact Size Panel PC
- Intel 6th Gen. Core i3(standard) / i5(option) CPU built-in
- 1 x 260Pin SO-DIMM DDR4 up to 16GB 2133MHz
- Flat Front Panel Touch Screen
- Fanless Design
- DC 9~36V Wide-Ranging Power Input
- Optional Projected Capacitive Touch Screen Support 7H Anti-Scratch Surface
- High Brightness 1,000 nits for Option

Specifications

System	
CPU	Onboard Intel 6th Gen. Core i3 CPU Processors/ i5(option)
System Chipset	SoC
Memory	1 x 260Pin SO-DIMM DDR4 up to 16GB 2133MHz
I/O Port	
USB	2 x USB 3.0 type A
Serial / Parallel	1 x DB-9 RS-232/422/485, COM1 (Default RS-232) 1 x RS-232 DB-9, COM2
Audio	1 x Audio Line Out
LAN	2 x GbE LAN RJ-45
Power	1 x 3-pin DC Power input terminal 1 x 2-Pin Power Switch
Option	2 x RS-232 DB-9 + 1 x Mini-PCIe slot via TB-528C2ME1 2 x CAN bus via TB-528CAN2 2 x USB 2.0 type A + 1 x Mini-PCIe slot + 1xRS-232 DB-9 via TB-528C1U2P1 4 x USB 2.0 type A via TB-528U4 UPS battery 21W/10.8V/1.95Ah(3S1P)

Storage Space	
HDD	1 x 2.5" SATA HDD bay for SATA3 HDD (Easy Accessible)

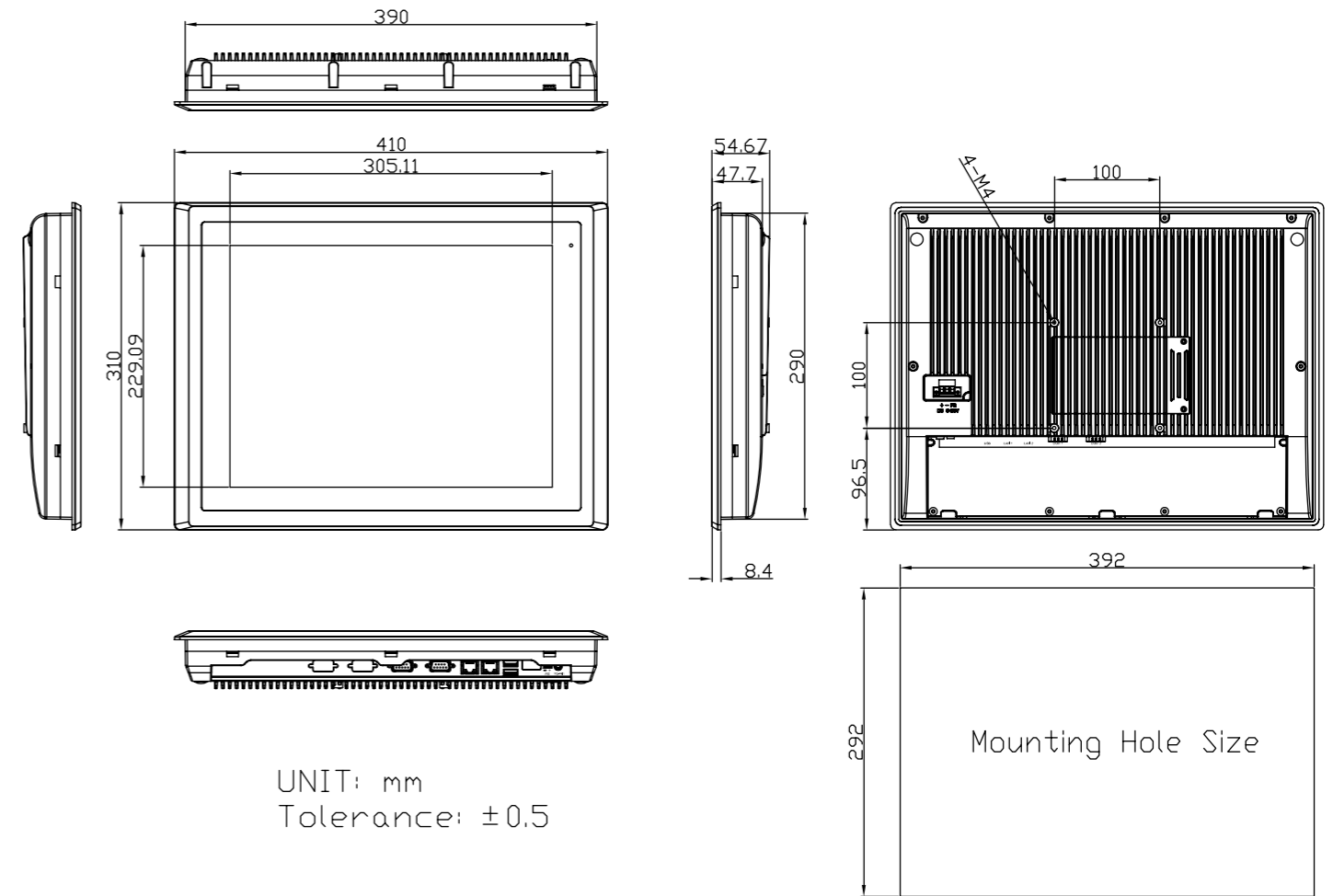
Expansion	
Expansion Slot	1 x Internal Mini-PCIe slot full size

Display	Standard	High Brightness Optional
Display Type	15" TFT LCD	15" TFT LCD
Max. Resolution	1024 x 768	1024 x 768
Max. Color	16.7M	16.2M
Luminance (cd/m ²)	420	1000
View Angle	160(H) / 160(V)	160(H) / 150(V)
Contrast	800:1	800:1
Backlight Lifetime	50,000 hrs	30,000 hrs
Option	Optical bonding	Optical bonding

Touch Screen	Resistive Touch	Projected Capacitive Touch
Interface	USB	USB
Light Transmission(%)	Over 80%	Over 90%

Power	
Power Input	DC 9~36V
Power Consumption	ADI-HMI-915AR: 42W

Dimensions



Mechanical	
Color	RAL 9007
Construction	Aluminum die-casting chassis
Mounting	Panel Mount, VESA 100 x 100
Dimensions (WxHxD)	410mm x 310mm x 54.67mm
IP Rating	Front Panel IP66
Net Weight	4.4kg

Environmental	
Operating Temperature	0~50°C
Storage Temperature	-30~70°C
Storage Humidity	10 to 90%@ 40°C, non-condensing
Certificate	CE / FCC, Class A

Operating System Support	
Windows 7 64 bit / Windows 8 64 bit / Windows 10 IoT 64 bit	

Ordering Information	
ADI-HMI-915AR-01	15" XGA Fanless HMI barebone with Intel Core i3 CPU, 4GB DDR4 RAM, Resistive touch screen, 9~36V DC input with adapter, Aluminum chassis
ADI-HMI-915AP-01	15" XGA Fanless HMI barebone with Intel Core i3 CPU, 4GB DDR4 RAM, Projected Capacitive touch screen, 9~36V DC input with adapter, Aluminum chassis



ADITECH ICT PRIVATE LIMITED
 803, Sigma IT Park,
 Plot NoR203/204,
 TTC Industrial Area
 Rabale , Navi Mumbai - 400701
 Tel : +91 9819884527
 Email : sales@aditech.in
 Website : www.aditech.in