



Features

- 17" Industrial Compact Size Panel PC
- Flat front panel touch screen
- Fanless design
- Intel 4th Gen. Core i3 CPU built-in/i5(option)
- Onboard 4GB DDR3L 1600 MHz/8GB(option)
- DC 9~36V wide ranging power input
- IP65 compliant front panel
- Optional projected capacitive touch screen support 7H anti-scratch surface

Specifications

System	
CPU	Onboard Intel 4th Gen. Core i3 CPU Processors/i5(option)
System Chipset	SoC
Memory	Onboard 4GB DDR 3L 1600 MHz/8GB(option)
IO Port	
USB	2 x USB 3.0 type A
Serial/Parallel	1 x DB-9 RS-232/422/485 (Default RS-232), COM1 1 x RS-232 DB-9, COM2
Audio	1 x Audio Line Out
LAN	2 x GbE LAN RJ-45
HDMI	1 x HDMI Port (No printing, reserved)
Power	1 x 3-pin DC Power input terminal 1 x 2-Pin Power Switch
Option	2 x RS-232 DB-9 + 1 x Mini-PCIe slot via TB-528C2ME1 2 x CAN bus via TB-528CAN2 2 x USB 2.0 type A + 1 x Mini-PCIe slot + 1 x RS-232 DB-9 + 1 x Power button via TB-528C1U2P1 2 x USB 2.0 type A + via TB-528U2 UPS Battery 21W/10.8V/1.95Ah(3S1P)

Storage Space	
Movable device	1 x SD Card Slot, up to 32GB
HDD	1 x 2.5" SATA HDD bay for SATA HDD (Easy Accessible)

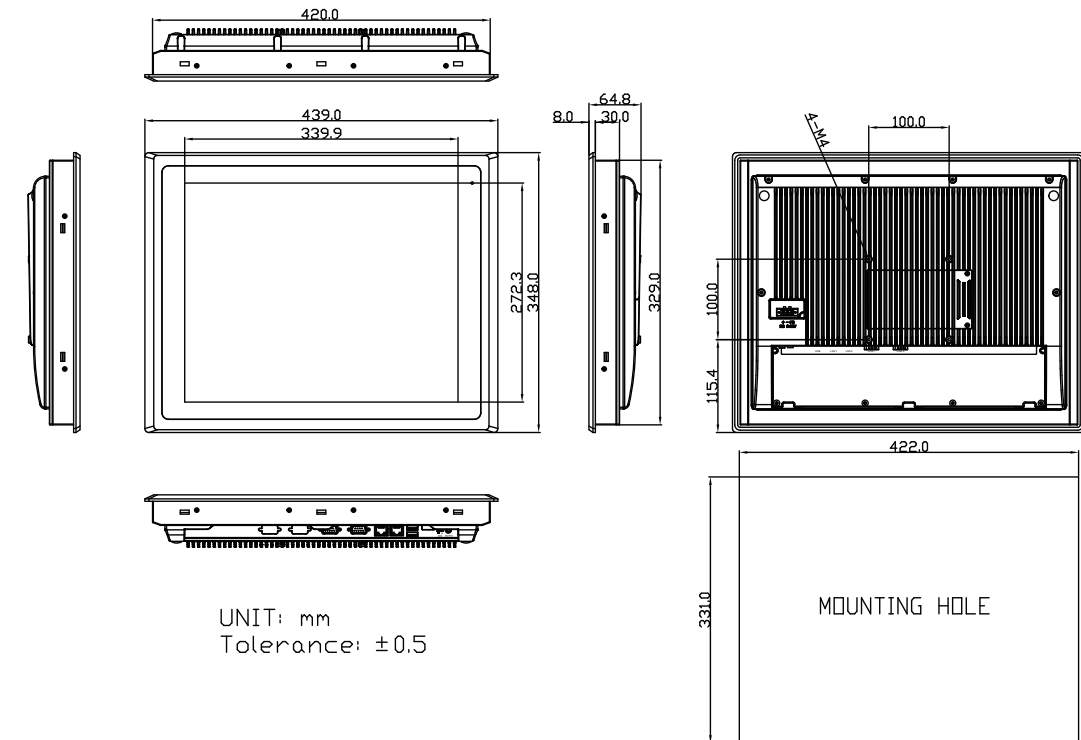
Expansion	
Expansion Bus	1 x Internal Mini-PCIe slot full size

Display	
Display Type	17" TFT-LCD
Max. Resolution	1280x1024
Max. Color	16.2M
Contrast Ratio	1000 : 1
Luminance (cd/m ²)	350
View angle(H°/V°)	H:170° / V:160°
Backlight Lifetime (Hrs)	30,000 hrs

Touch screen - Resistive Touch Window Type	
Interface	USB
Light Transmission(%)	Over 80%

Touch Screen - Projected Capacitive Type	
Interface	USB
Light Transmission(%)	Over 90%

Dimensions



Power	
Power Input	9~36V DC
Power Consumption	MAX: 29.8W (917) / MAX: 30.2W (917P)

Mechanical	
Front Bezel	Flat Bezel design
Front Bezel Metal	Aluminum / Panel Mounting
Rear Panel Metal	Aluminum / VESA 100 x 100
Dimensions (WxHxD)	439mm x 348mm x 64.8mm
IP Rating	Front Panel IP65
Net Weight (Kgs)	6.1 Kgs

Environmental	
Operating Temperature	0~50°C
Storage Temperature	-20~60°C
Storage Humidity	10 to 90%@ 40°C, non-condensing
Certificate	CE / FCC Class A

Operating System Support	
Windows Embedded Compact 7, Windows Embedded Standard 7, Windows Embedded 8 Standard, Windows Embedded 8.1 Industry Pro	

Ordering Information	
ADI-HMI-917-01	17" SXGA Fanless HMI barebone with Intel Core i3 CPU, 4GB DDR3 RAM, Resistive touch screen, 9~36V DC input with adapter, Aluminum chassis
ADI-HMI-917P-01	17" SXGA Fanless HMI barebone with Intel Core i3 CPU, 4GB DDR3 RAM, Projected Capacitive touch screen, 9~36V DC input with adapter, Aluminum chassis



ADITECH ICT PRIVATE LIMITED
803, Sigma IT Park, Plot NoR203/204,
Plot No R203/204,
TTC Industrial Area
Rabale , Navi Mumbai - 400701
Tel : +91 9819884527
Email : sales@aditech.in
Website : www.aditech.in