

Datasheet

Modbus Master / Ethernet - Converter

for Website information:

http://www.aditech.in/product/Modbus_Ethernet_Converter.html

Benefits and Main Features:

- ⊕ Very easy to configure
- ⊕ Low cost
- ⊕ 32mm Rail DIN mount
- ⊕ Wide supply input range
- ⊕ Galvanic Isolation of RS485
- ⊕ Temperature range: -40°C/+85°C (-40°F/+185°F)



CONNECTION SCHEME:

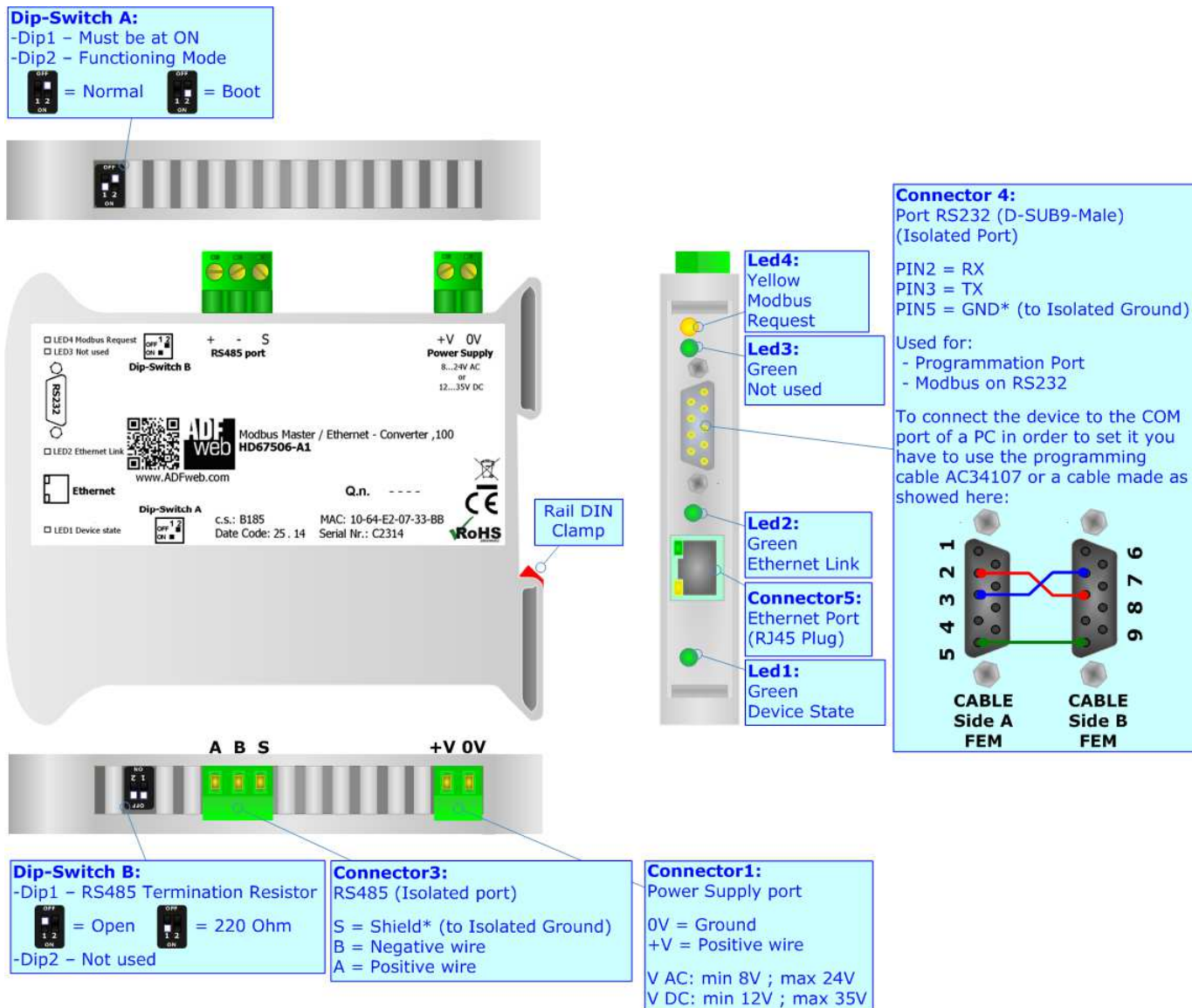


Figure 1a: Connection scheme

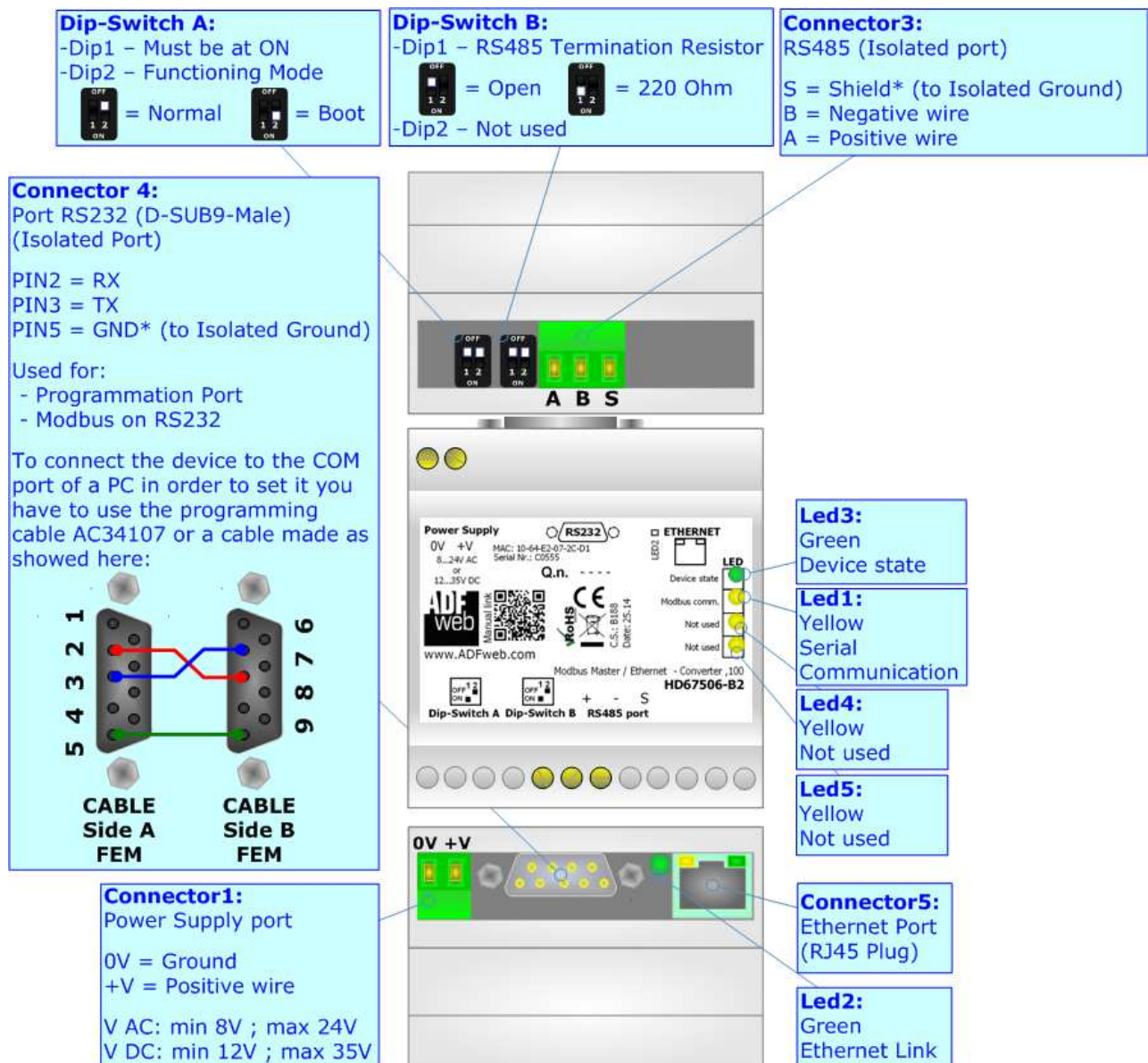


Figure 1b: Connection scheme