

Features

- 10.1" New Generation Stainless Steel Panel PC
- Intel Celeron N2930 1.83GHz Onboard Processor
- True Flat Front Bezel Design and Grade 304 Stainless Steel Enclosure (Grade 316 for Option)
- IP66/IP69K Rated with M12 Connectors
- Support Resistive Touch, Projected Capacitive Touch, and Glass
- Touch on/off Button on the Side Edge for Hygienic Cleaning
- Support Ergonomic Versatile Mounting: Yoke Mounting / Space-saving VESA 75 x 75 mm Mounting

Specifications

| System | |
|----------------|---|
| CPU | Celeron N2930 Processor(2M Cache,1.83GHz) |
| System Chipset | SoC |
| Memory | Onboard 4GB DDR3L SDRAM , up to 8GB(option) |

| IO Port | |
|-------------------|--|
| USB | 1 x M12 8-pin for USB 2.0 with waterproof cover and chain |
| Serial / Parallel | 1 x M12 8-pin COM1, RS-232/422/485, default RS-232, with waterproof cover and chain |
| LAN | 1 x M12 8-pin for LAN with waterproof cover and chain |
| Others | 1 x Touch on/off button on the side |
| Power Connector | 1 x M12 3-pin for DC power with waterproof cover and chain 1 x Power switch on the side |
| Option | 2 x optional blank M12 connector with waterproof cover and chain for selecting two from the following options: 2 x USB 2.0 1 x USB 3.0 1 x LAN (POE for option) 1 x COM 1 x CAN |

| Storage Space | |
|---------------|--------------------|
| HDD | 1 x 2.5" SATA3 HDD |

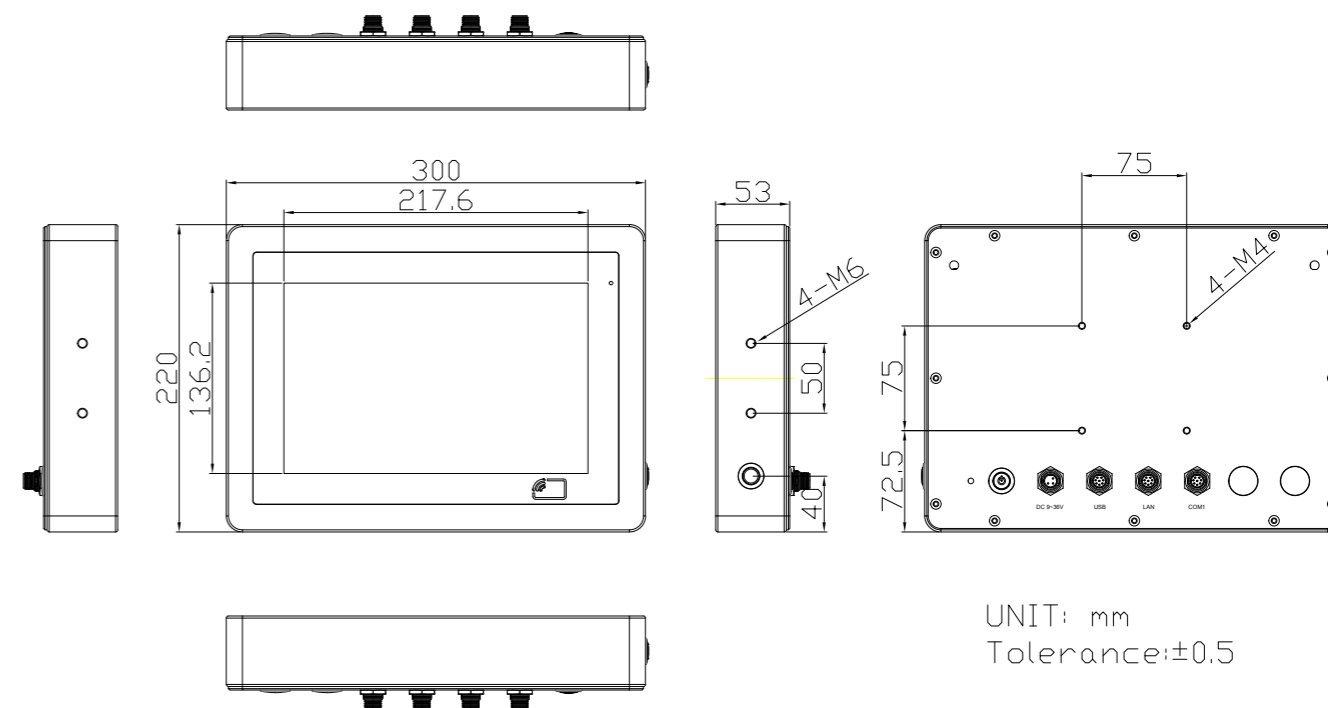
| Expansion | |
|----------------|---|
| Expansion Slot | 1 x miniPCIe slot for WIFI/BT(optional), 4G/LTE(optional) |
| RFID module | RFID module design on the front side(optional) |

| Display | Standard | High Brightness Optional |
|--------------------------------|----------------|--------------------------|
| Display Type | 10.1" TFT-LCD | 10.1" TFT-LCD |
| Max. Resolution | 1280 x 800 | 1280 x 800 |
| Max. Color | 16.7M | 16.7M |
| Luminance (cd/m ²) | 350 | 1000 |
| View Angle | 170(H) /170(V) | 170(H) /170(V) |
| Contrast | 800:1 | 800:1 |
| Backlight Lifetime | 25,000 hrs | 30,000 hrs |

| Touch Screen | |
|-----------------------|--|
| Type | Resistive Touch (For R model) Projected Capacitive Touch (For P model) Glass (For G model) |
| Interface | USB |
| Light Transmission(%) | Resistive Touch : 80% Projected Capacitive : 90% |

| Power | |
|-------------------|------------------|
| Power Input | DC 9~36V |
| Power Consumption | ADI-TAM-810P:17W |

Dimensions



UNIT: mm
Tolerance:±0.5

| Mechanical | |
|--------------|---|
| Construction | 304 Stainless steel chassis(default), 316 Stainless steel chassis(optional) |
| Mounting | VESA mount 75 x 75, Yoke mount for optional |
| IP Rating | Total IP66/IP69K |
| Dimensions | 300 x 220 x 53 mm |
| Net Weight | 3.9 kg |

| Environmental | |
|-----------------------|-----------------------------------|
| Operating Temperature | 0~50°C |
| Storage Temperature | -30~70°C |
| Storage Humidity | 10 to 90% @ 40°C, non- condensing |
| Certificate | CE/FCC Class A |

| Operating System Support | |
|--|--|
| WEC 7, Windows Embedded 7, Windows Embedded 8.1, Windows 10 IoT ENT LTSC | |

| Ordering Information | |
|----------------------|---|
| ADI-TAM-810P | 10.1" WXGA IP66/IP69K stainless steel panel pc, Celeron N2930 Processor, 4GB DDR3L RAM, 32G MLC SSD, projected capacitive touch, 9~36V DC power input with Adapter |
| ADI-TAM-810R | 10.1" WXGA IP66/IP69K stainless steel panel pc, Celeron N2930 Processor, 4GB DDR3L RAM, 32G MLC SSD, 5 wire resistive touch window, 9~36V DC power input with Adapter |
| ADI-TAM-810G | 10.1" WXGA IP66/IP69K stainless steel panel pc, Celeron N2930 Processor, 4GB DDR3L RAM, 32G MLC SSD, protection glass, 9~36V DC power input with Adapter |
| ADI-TAM-810PH | 10.1" WXGA IP66/IP69K stainless steel panel pc, Celeron N2930 Processor, 4GB DDR3L RAM, 32G MLC SSD, projected capacitive touch, 9~36V DC power input with Adapter, 1,000 nits LCD |
| ADI-TAM-810RH | 10.1" WXGA IP66/IP69K stainless steel panel pc, Celeron N2930 Processor, 4GB DDR3L RAM, 32G MLC SSD, 5 wire resistive touch window, 9~36V DC power input with Adapter, 1,000 nits LCD |
| ADI-TAM-810GH | 10.1" WXGA IP66/IP69K stainless steel panel pc, Celeron N2930 Processor, 4GB DDR3L RAM, 32G MLC SSD, protection glass, 9~36V DC power input with Adapter, 1,000 nits LCD |



ADITECH ICT PRIVATE LIMITED
803, Sigma IT Park, Plot No R203/204,
Plot No R203/204,
TTC Industrial Area
Rabale , Navi Mumbai - 400701
Tel : +91 9819884527
Email : sales@aditech.in
Website : www.aditech.in