

Features

- Solid aluminum die-casting chassis
- IP66 compliant front panel / IP69K (option)
- VGA and DVI-D input
- System power LED light
- Wide range DC 9~36V power input
- High Brightness LCD for option
- Support protective AR glass for option (non-touch version)

Specifications

I/O Port	
VGA	1 x VGA
DVI	1 x DVI-D
OSD Control Membrane	OSD on rear side On board controller, extendable key pad from connector
Power	1 x 3-pin terminal block for DC 9~36V power input
Others	1 x USB type A for touch control Optional I/O: 1 x Line in by phone jack 1 x RS-232 DB-9 for touch control

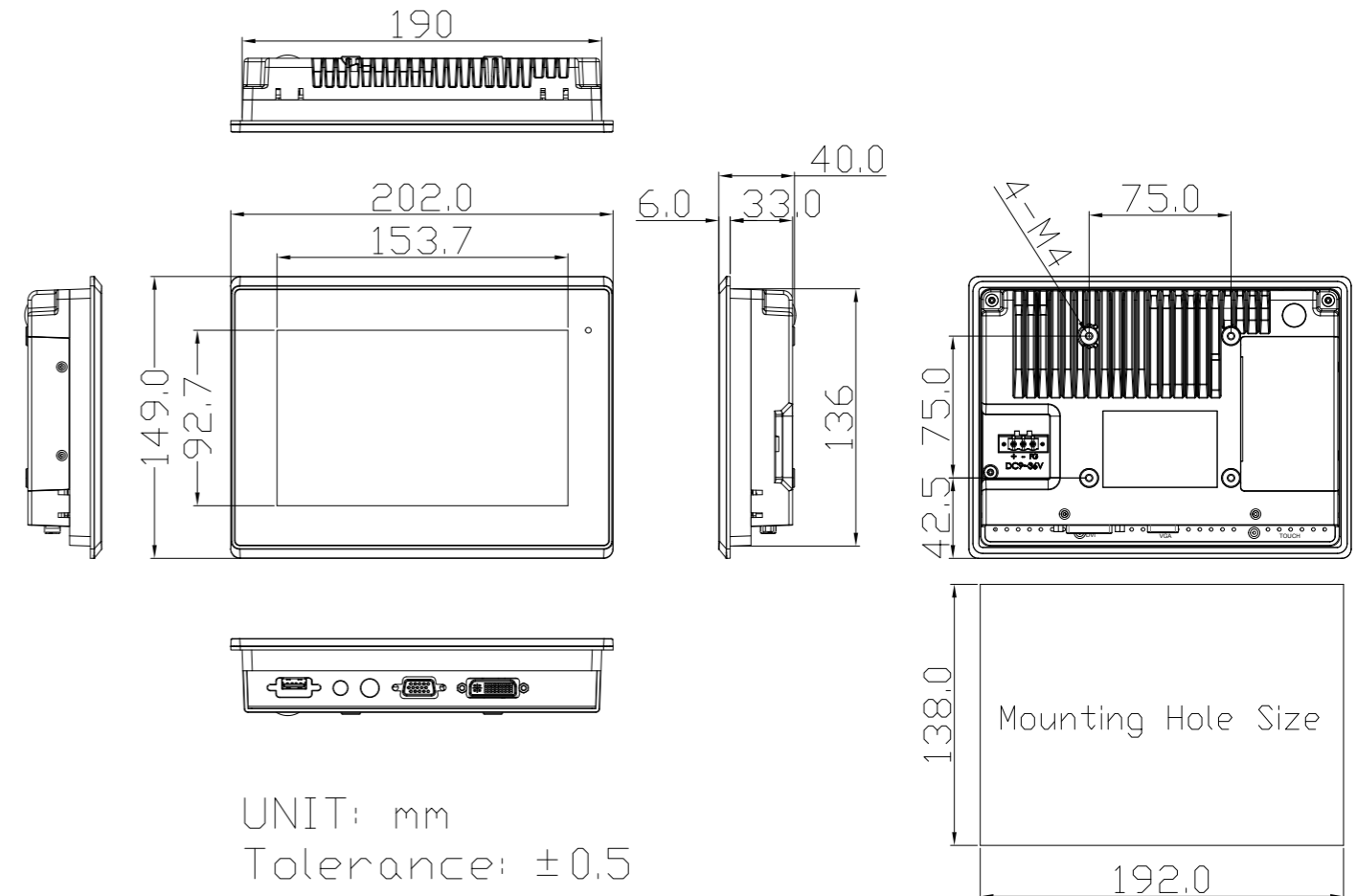
Display	Standard	High Brightness Optional
Display Type	7" TFT LCD	7" TFT LCD
Max. Resolution	800 x 480	800 x 480
Max. Color	262K	262K
Luminance (cd/m ²)	350	1000
View Angle	140(H) / 110(V)	140(H) / 130(V)
Contrast	400:1	400:1
Backlight Lifetime	40,000 hrs	50,000 hrs

Touch Screen	
Type	Resistive Touch (For ADISP-107 model) Projected Capacitive Touch (For ADISP-107P model) Glass-AR (For ADISP-107G model)
Interface	USB default (Resistive / Projected Capacitive Touch) RS-232 Option (Resistive Touch)
Light Transmission(%)	Resistive Touch : over 80% Projected Capacitive Touch : over 90%

Power	
Power Input	DC 9~36V
Power Consumption	MAX: 4.2W (107) / MAX: 4.2W (107P)

Mechanical	
Construction	Aluminum die-casting chassis
Mounting	Panel mount / VESA mount 75 x 75
IP Rating	IP66 compliant front panel / IP69K(option)
Dimensions (WxHxD)	202 x 149 x 40 mm
Net Weight	1.1 kg

Dimensions



Environmental	
Operating Temperature	0~50°C / -20~60°C for option
Storage Temperature	-30~70°C
Storage Humidity	10 to 90% @ 40°C, Non-condensing, without touch screen
Certificate	CE/FCC, Class A

Ordering Information	
ADISP-107	7" WVGA FPD Industrial Display, Resistive Touch Window, VGA, DVI input, 5 keys Rear OSD, DC 9~36V power input with adapter, Aluminum Die-casting Chassis.
ADISP-107P	7" WVGA FPD Industrial Display, Projected Capacitive touch screen, VGA, DVI input, 5 keys Rear OSD, DC 9~36V power input with adapter, Aluminum Die-casting Chassis.
ADISP-107G	7" WVGA FPD Industrial Display, Glass screen, VGA, DVI input, 5 keys Rear OSD, DC 9~36V power input with adapter, Aluminum Die-casting Chassis.



ADITECH ICT PRIVATE LIMITED
 803, Sigma IT Park, Plot No R203/204,
 Plot No R203/204,
 TTC Industrial Area
 Rabale, Navi Mumbai - 400701
 Tel : +91 9819884527
 Email : sales@aditech.in
 Website : www.aditech.in