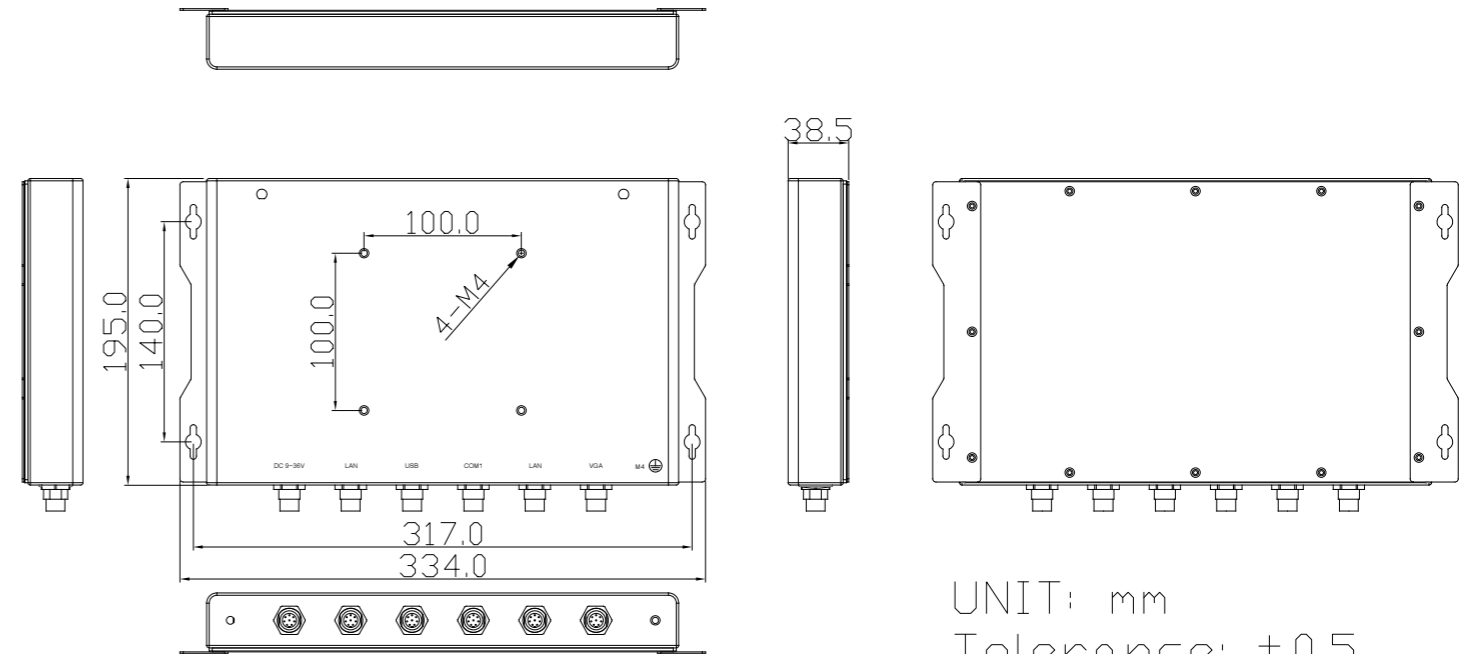


Features

- Intel 6th Gen. Core i5/i3 Processor
- SUS 316 Stainless Steel
- Total IP66 Grade with M12 Waterproof Connector
- Variety of IO applications
- WLAN for Option
- Wide range DC 9~36V Power Input
- Support Panel Mount & VESA Mount
- Fanless Design
- ATEX Zone2, IECEx and C1D2 Certified



Dimensions



UNIT: mm
Tolerance: ±0.5

Specifications

System	
CPU	Onboard 6th Gen Intel Core i7-6600U Processor(4M Cache,2.60 GHz) Intel Core i5-6200U Processor(3M Cache,2.30 GHz) Intel Core i3-6100U Processor(3M Cache,2.30 GHz)
System Chipset	SoC
Memory	1 x 260-pin SO-DIMM up to 16GB DDR4 2133MHz
IO Port	
USB	1 x M12 8-pin for 2 x USB 2.0 with waterproof cover and chain
Serial/Parallel	1 x M12 8-pin for COM1, RS-232/422/485, default RS-232, with waterproof cover and chain
Graph	1 x M12 12-pin for VGA with waterproof cover and chain
LAN	2 x M12 8-pin for LAN with waterproof cover and chain
Power	1 x M12 3-pin for DC power with waterproof cover and chain
Storage Space	
Storage	1 x 2.5" SATA3 HDD space

Expansion	
Expansion Slot	1 x Mini-PCIe slot (full size) for option WLAN/BT module

Power	
Power Input	DC 9~36V
Power Consumption	Max: 45.7W

Mechanical	
Construction	316 Stainless Steel Chassis
Mounting	VESA mount 100 x 100, Wall mount
IP Rating	Total IP66
Dimensions	334 x 195 x 38.5mm
Net Weight	4.0 kg

Environmental	
Operating Temperature	-20~ 60°C
Storage Temperature	-30~ 70°C
Storage Humidity	10 to 90%@ 40°C, non-condensing
Certificate	CE / FCC Class A ATEX Zone2 Ex nA IIC T4 Gc Class I, Division 2, Group ABCD T4 ANSI/ISA 12.12.01-2013 CSA Std. C22.2 No213-1987

Operating System Support	
Windows 7 Pro for Embedded	
Windows Embedded Standard 7	
Windows Embedded 8.1 Industry Pro	
Windows Embedded 8 Standard	
Windows 10 IoT ENT LTSB	

Ordering Information	
AEx-2411	Fanless Box PC module, Intel Core™i5-6300U, 16GB DDR4 memory on board, 1 x 256GB 2.5" MLC SSD, 1 x 64GB mSATA MLC SSD, 316 stainless steel enclosure, support VESA Mount, WT-20~60 Accessory : 1 x M12 for 2 x USB2.0 Cable, 2 x M12 LAN cable, 1 x M12 COM Cable, 1 x VGA Cable, 1 x 3pin power input cable (w/o Adapter)



Authorised Distributor
ADITECH ICT PVT. LTD.
803,sigma IT park,
plat no 203/204 Rabale,
TTC Industrial area,
Thane-Belapur road,
Rabale-400701
Tel:+91 9819884527
Email: sales@aditech.in
Website: www.aditech.in