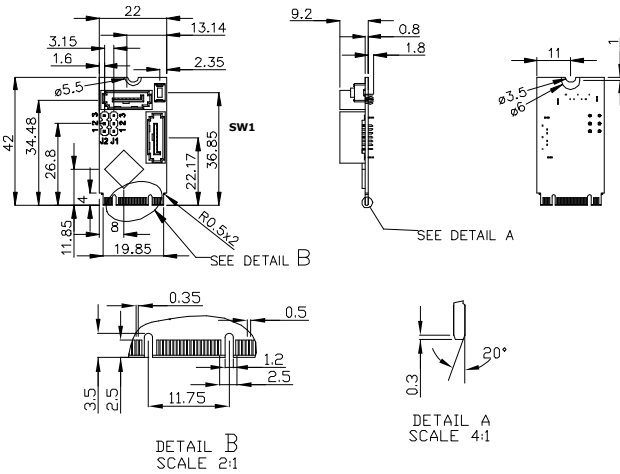


Features

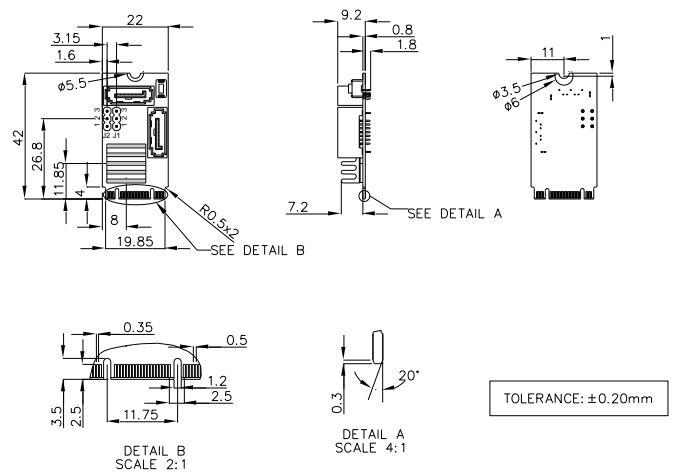
- Supports SATA to dual SATA III Port Multiplier.
- Supports H/W RAID 0/1 over SATA.
- 30μ golden finger, 3 years warranty.
- Optional Industrial Temperature (-40°C to +85°C) support.
- Industrial design, manufactured in innodisk Taiwan

Mechanical Drawing

Standard Temp



Wide Temp



TOLERANCE: ±0.20mm

Specifications

Headquarters (Taiwan)

5F., No. 237, Sec. 1, Datong Rd., Xizhi Dist., New Taipei City 221, Taiwan
Tel: +886-2-77033000
Email: sales@innodisk.com

Branch Offices:

USA
usasales@innodisk.com
+1-510-770-9421

Europe
eusales@innodisk.com
+31-040-282-1818

Japan
jpsales@innodisk.com
+81-3-6667-0161

China
sales_cn@innodisk.com
+86-755-21673689

www.innodisk.com

© 2014 Innodisk Corporation. All right reserved. Specifications are subject to change without prior notice.

November 23, 2015

Form-Factor	M.2 2242-B-M
Input I/F	SATA III
Output I/F	SATA III
Output Connector	SATA 7pin x 2
Bridge	JMS562
TDP	1.65W (3.3V x 498mA)
Dimension (WxLxH)	22 x 42 x 11mm, Weight: 5.5g
Temperature	Operation: STD: 0°C ~ +70°C WT: -40°C ~ +85°C Storage: -55°C ~ +95°C
Environment	Vibration: 5G @7~2000Hz, Shock: 50G @ 0.5ms
Notes	1. RAID Mode Setting: [J2:J1] RAID0: 23:23, RAID1: 23:12, PM: 12:12 2. Press tact switch SW1 for reset.

Order information

EGSS-32R1-C1 (Standard Temp.)
EGSS-32R1-W1 (Wide Temp.)
M.2 to Dual SATA III RAID Module

Authorised Distributor ADITECH ICT PVT. LTD.

803,sigma IT park, plat no 203/204 Rabale, TTC Industrial area, Thane-Belapur road, Rabale-400701
Tel: 9819884527 Email: sales@aditech.in
Website: www.aditech.in