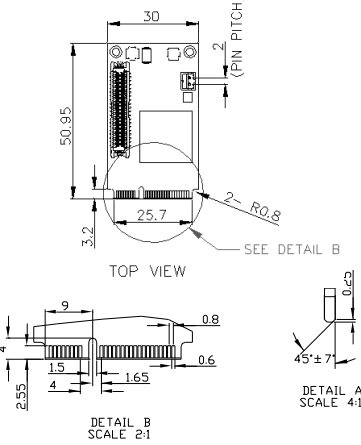


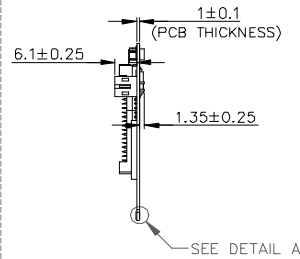
Features

- VGA Output up to 1920x1440, up to 75Hz vertical rate
- LVDS resolution supports up to 1600 x 1200
- EMPV-1202-C1/W1 Support 18 bit panel and 24 bit JEIDA LVDS
- EMPV-1202-C2/W2 Support 24 bit VESA LVDS
- Allow for 90°, 180°, and 270° rotation of on-screen images.
- Optional Industrial Temperature (-10°C to +85°C) support.
- 30μ" golden finger, 3 years warranty.
- Industrial design. Manufactured in innodisk Taiwan.

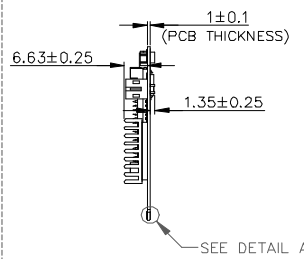
Mechanical Drawing



Standard Temp



Wide Temp



18 bits LVDS + VGA

Signal	Pin	Pin	Signal
+5V	2	1	+3.3V
+5V	4	3	+3.3V
I2C DATA	6	5	I2C_CLK
GND	8	7	GND
LVDS_D0+	10	9	LVDS_D1+
LVDS_D0-	12	11	LVDS_D1-
GND	14	13	GND
LVDS_D2+	16	15	LVDS_D3+
LVDS_D2-	18	17	LVDS_D3-
GND	20	19	GND
R_0	22	21	B_0
G_0	24	23	
GND	26	25	GND
H_Sync	28	27	DDC_SCL
V_Sync	30	29	DDC_SDA
GND	32	31	GND
LVDS_CLK+	34	33	
LVDS_CLK-	36	35	
GND	38	37	GND
	40	39	

Specifications

Headquarters (Taiwan)

5F., No. 237, Sec. 1, Datong Rd.,
Xizhi Dist., New Taipei City 221,
Taiwan
Tel: +886-2-77033000
Email: sales@innodisk.com

Branch Offices:

USA
usasales@innodisk.com
+1-510-770-9421

Europe
eusales@innodisk.com
+31-40-3045-400

Japan
jpsales@innodisk.com
+81-3-6667-0161

China
sales_cn@innodisk.com
+86-755-21673689

www.innodisk.com

© 2017 Innodisk Corporation.
All right reserved. Specifications
are subject to change without
prior notice.

December 24, 2019

Form-Factor	mini PCIe
Input I/F	PCI Express 1.0
Output I/F	VGA, 18/24 bit LVDS (C1 for JEIDA, C2 for VESA)
Output Connector	40pin 1.25mm (40DP-1.25)
TDP	1.98W(3.3V x 600mA)
Dimension (WxLxH)	ST: 50.95 x 30 x 8.45 mm, WT: 50.95 x 30 x 8.98 mm
Temperature	Operation: STD: 0°C ~ +70°C WT: -10°C ~ +85°C Storage: -55°C ~ +95°C
Environment	Vibration: 5G @7~2000Hz, Shock: 50G @ 0.5ms
Notes	Need to connect external 5V power for LVDS panel. OS Support : Windows XP (32 bit), Windows 7/8/8.1/10 (32/64 bit), Linux Ubuntu 12.04-16.04(32/64bit), Linux Fedora 17- 21(32/64bit), Linux CentOS/Redhat 6.5 (32/64bit)- 7.2(64bit)Please download driver from Myinnodisk website.

Order information

EMPV-1202-C1(Standard Temp.)

EMPV-1202-W1(Wide Temp.)

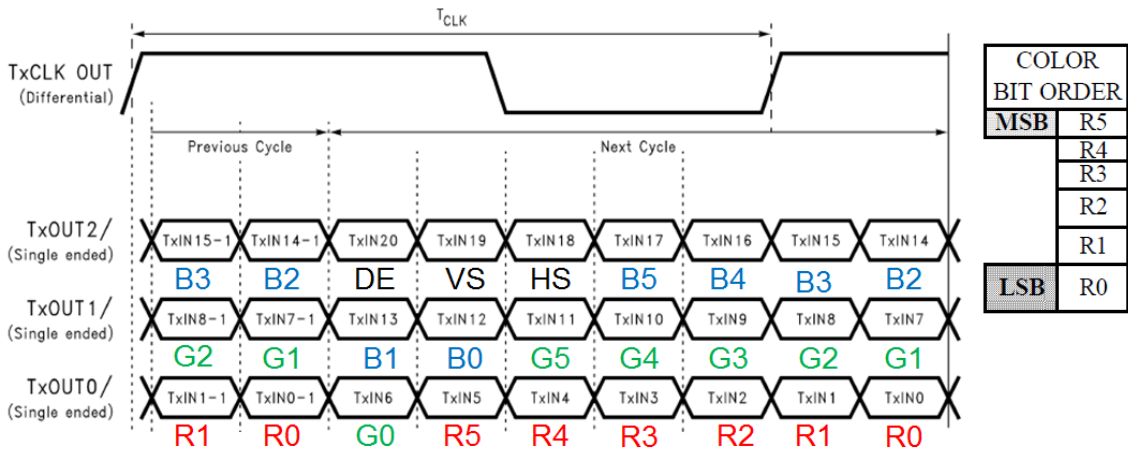
mPCIe to VGA & 18 bit panel and 24 bit JEIDA LVDS format module

EMPV-1202-C2(Standard Temp.)

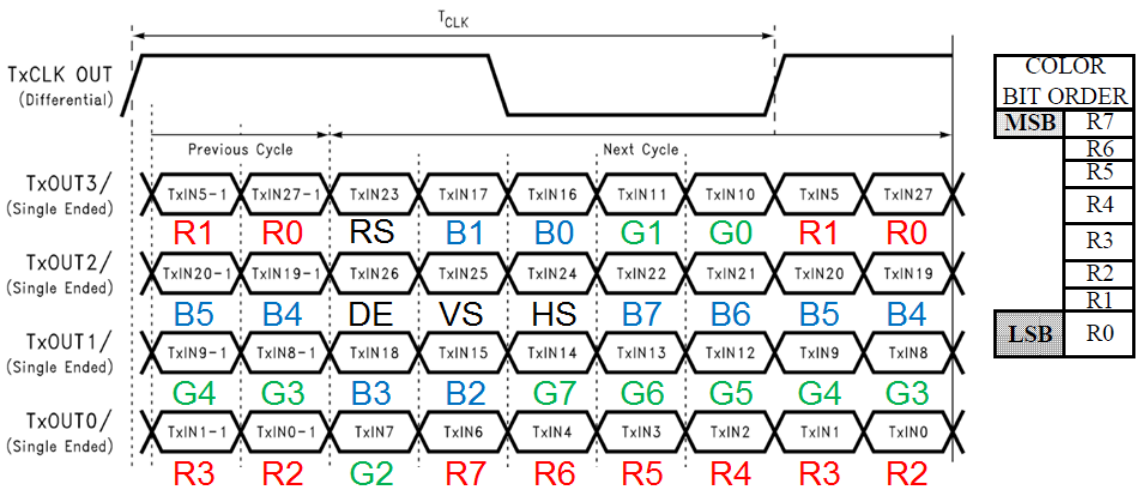
EMPV-1202-W2(Wide Temp.)

mPCIe to VGA & 24 bit VESA LVDS format module

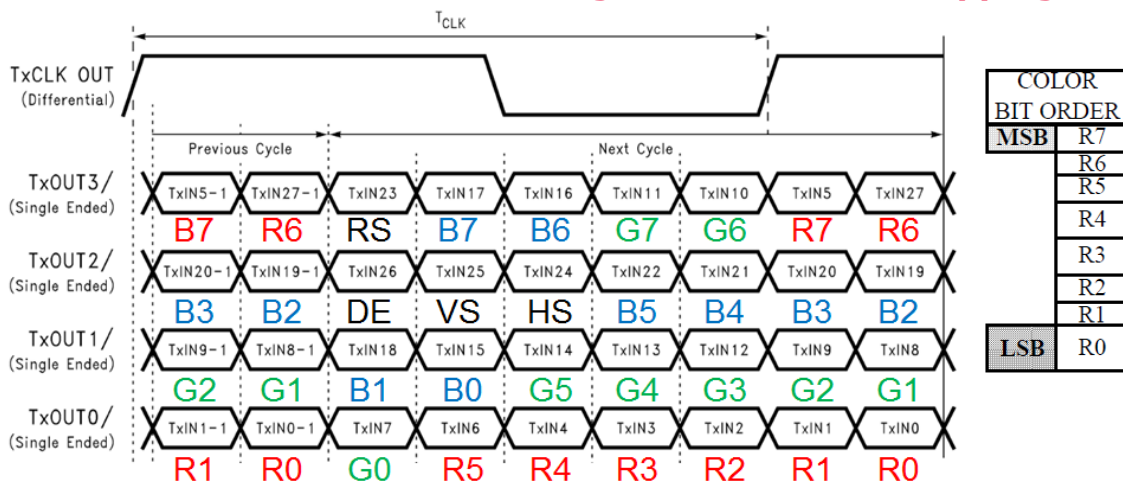
EMPV-1202-C1 LVDS 18 Bit Single Channel Data Mapping Diagram



EMPV-1202-C1 JEIDA LVDS 24 Bit Single Channel Data Mapping Diagram



EMPV-1202-C2 VESA LVDS 24 Bit Single Channel Data Mapping Diagram



Authorised Distributor
ADITECH ICT PVT. LTD.

803,sigma IT park,
 plat no 203/204 Rabale, TTC Industrial area, Thane-Belapur road, Rabale-400701
 Tel:+91 9819884527 Email: sales@aditech.in Website: www.aditech.in