



全漢企業股份有限公司
FSP TECHNOLOGY INC.

台灣桃園市建國東路22號
No. 22, Jianguo East Road., Taoyuan City, Taiwan, R.O.C.
TEL:+886-3-375-9888
FAX:+886-3-375-6966

統一編號：84239055
Website : www.FSP-group.com
Email : sales@fsp-group.com.tw

MECHANICAL DRAWING



FSP400-60GHC,(A33002)

Released Date:2010/1/19-8:52:11



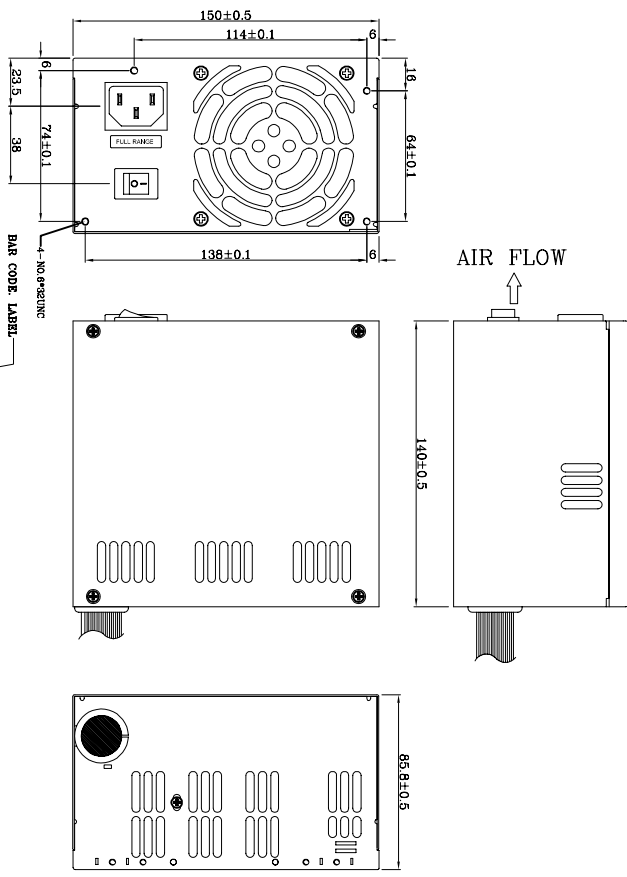
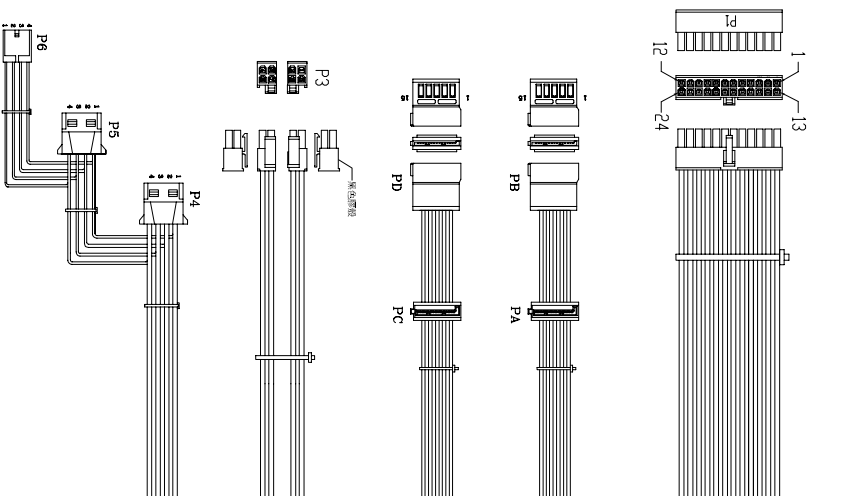
Authorised Distributor
ADITECH ICT PVT LTD

803, Sigma IT Park, Plot No R203/204, TTC Industrial Area,
Thane Belapur Road, Rabale, Navi Mumbai-400701

Call / WhatsApp : +91 9819884527 |

Email : sales@aditech.in | Website : www.aditech.in

REF. ID.	PIN NO.	SIGNAL	WIRE COLOR	GUAGE	CONNECTOR TYPE	CABLE LENGTH
P1	1	+3.3VDC	ORANGE	18	MOLEX 39-01-2240 or EQUIV.	320 +20 mm
	2	+3.3VDC	ORANGE	18		
	3	COM	BLACK	18		
	4	+5VDC	RED	18		
	5	COM	BLACK	18		
	6	+5VDC	RED	18		
	7	COM	BLACK	18		
	8	PW-OK	GRAY	24		
	9	+5Vsb	PURPLE	20		
	10	+12V1	YELLOW	16		
	11	+12V1	YELLOW	16		
	12	+3.3VDC	ORANGE	18		
	13	+3.3VDC	ORANGE	18		
	14	-12VDC	BBLUE	22		
	15	COM	BLACK	18		
	16	PS-ON	GREEN	24		
	17	COM	BLACK	18		
	18	COM	BLACK	18		
	19	COM	BLACK	18		
	20	COM	BLACK	18		
	21	+5VDC	RED	18		
	22	+5VDC	RED	18		
	23	+5VDC	RED	18		
	24	COM	BLACK	18		
PA	1	+3.3V	ORANGE	20	MOLEX SP-67962-0011 320 +20 mm or EQUIV.	
	2	COM	BLACK	20		
	3	+5V	RED	20		
	4	COM	BLACK	20		
PC	1	+12V1	YELLOW	20	MOLEX SP-67962-001 150±10mm or EQUIV.	
	2	COM	BLACK	20		
	3	+5V	RED	20		
	4	COM	BLACK	20		
PB	1	+12V1	YELLOW	20	WST P4-14000003A+ P4-14000003B+ or EQUIV.	
	2	COM	BLACK	16		
	3	COM	BLACK	16		
	4	COM	BLACK	16		
P3	5	+12V2	YEL./BLK	16		
	6	+12V2	YEL./BLK	16		
	7	+12V2	YEL./BLK	16		
	8	+12V1	YELLOW	20		
	1	+12V1	YELLOW	20		
	2	COM	BLACK	20		
	3	COM	BLACK	20		
	4	+5V	RED	20		
P4	1	+12V1	YELLOW	22	AMP 1-480424-0 320 +20 mm or EQUIV.	
	2	COM	BLACK	22		
	3	COM	BLACK	22		
	4	+5V	RED	22		
P5	1	+5V	RED	22	AMP 1-480424-0 150±10mm or EQUIV.	
	2	COM	BLACK	22		
	3	COM	BLACK	22		
	4	+5V	RED	22		
P6	1	+5V	RED	24	AMP 171822-4 150±10mm or EQUIV.	
	2	COM	BLACK	24		
	3	COM	BLACK	24		
	4	+12V1	YELLOW	24		



NOTE:

1. ALL THE LENGTH OF OUTPUT WIRES EXCLUDE HOUSING.
2. 產地標籤依業務指示加貼;

P/N: 9PA4006102

MODEL NO. : FSP400-60GHC(A33002)	TITLE: ASSY	SHEET: 1 OF 1	REV: 01
R&D(8)	PE	DRAWN	DATE
		XIAHDUYJ	JAN.18.2010

Mechanical Drawing(外觀/機構圖) 表單編號: 000P-0111

UNIT:mm