



# I-7561

USB to Isolated RS-232/422/485 Converter

## Features

- Fully Compliant with the USB 1.1/2.0 (High Speed)
- No External Power Supply required
- Baud Rate, 300 – 115200 bps
- 3000 V<sub>oc</sub> Isolation Protection on the RS-232/422/485 side
- ESD Protection for the RS-232/422/485 Data Line
- Operating Temperatures, -25 °C – +75 °C
- Driver Supports Windows 98/ME/2000/XP/Vista (32/64-bit)/7 (32/64-bit)/Linux
- DIN-Rail



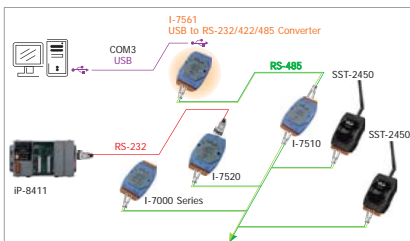
## Introduction

The I-7561 is a cost-effective module for transferring serial data via USB. It allows you to connect your serial devices to systems that use a USB interface. Connecting the I-7561 to a PC, you get one RS-232/422/485 port. Like the I-7520A, the I-7561 contains "Self Tuner" chip auto-tunes the Baud Rate and data format to the RS-485 network. The I-7561 module derives its power from the USB port and doesn't need any power adapter. It also features a high-speed 115.2 kbps transmission rate, and supports various O.S. independent RS-232/422/485 Ports.

## Software

Driver
Windows 98/ME/2000/XP/Vista (32/64-bit)/7 (32/64-bit)/Linux

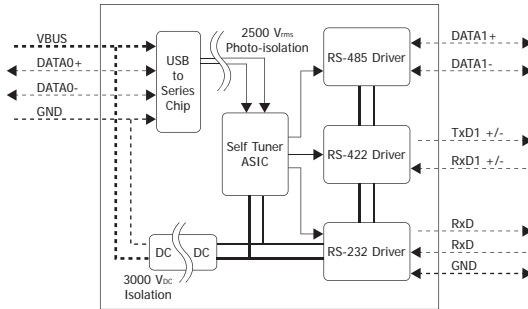
## Applications



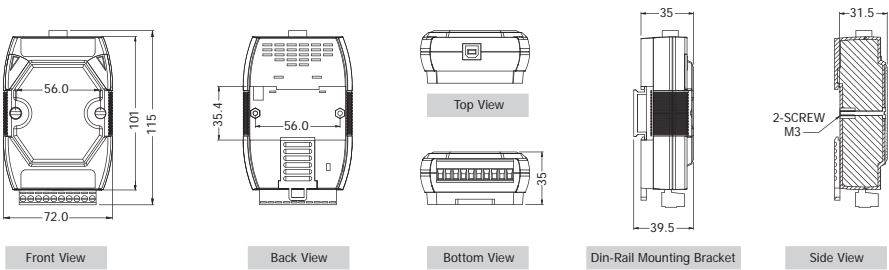
## Specifications

Interface		
USB		Compatibility: USB 1.1 and 2.0 standards
Serial Interface	RS-232	TxD, RxD, GND
	RS-422 RS-485	TxD+, TxD-, RxD+, RxD- Data+, Data-
2-wire cabling/4-wire cabling		Belden 8941 (2P twisted-pair cable)/Belden 8942 (4P twisted-pair cable), if different cables are used, the transmission distance may change
RS-422/485 Transfer Distance		Max. 1,200 m at 9.6 kbps; Max. 400 m at 115.2 kbps
Maximum Supported RS-485 Devices		256 (Without repeater)
Self-Tuner Asic Inside (RS-485)		Yes
Speed		300 – 115200 bps
Connection	RS-232/422/485	Removable 10-Pin Terminal Block
	USB	Type B
Cable Included		CA-USB18 (1.8 m Cable) x 1
LED Indicators		
Power		Yes
Power		
Input Voltage Range		+5 V <sub>oc</sub> from USB
Power Consumption		0.5 W
Mechanical		
Casing		Plastic
Flammability		Fire Retardant Materials (UL94-V0 Level)
Dimensions (W x H x D)		72 mm x 115 mm x 35 mm
Installation		DIN-Rail
Environment		
Operating Temperature		-25 °C – +75 °C
Storage Temperature		-30 °C – +75 °C
Humidity		10 – 90% RH, non-condensing

## Internal I/O Structure



## Dimensions (Unit: mm)



## Pin Assignments



Terminal No.	Pin Assignment
RS-485	01 DATA+
	02 DATA-
	03 TxD+
RS-422/485	04 TxD-
	05 RxT+/DATA2+
	06 RxT-/DATA2-
RS-232	07 TxT
	08 RxT
	09 (B)GND
	10 (B)GND

## Ordering Information

I-7561 CR	USB to RS-232/422/485 Converter (RoHS)
I-7561-G CR	USB to RS-232/422/485 Converter (Gray Cover) (RoHS)
Include Cable	CA-USB18 (1.8 m Cable) x 1

## Accessories

USB-2560 CR	Industrial 4-port USB 2.0 Hub
CA-USB18	USB Type A to Type B Cable