



Features

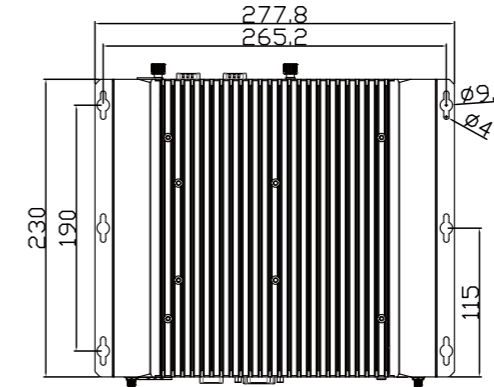
- Intel 6th/7th Gen. Skylake/Kaby Lake Core™ i7/i5/i3 CPU
- 2 x SO-DIMM, up to 32GB
- Easy accessible storage design
- Support 4K UHD display
- Multi-Expansion slot
- Three independent display ports
- Wide range DC 9~36V power input

Specifications

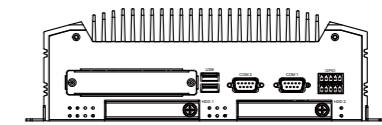
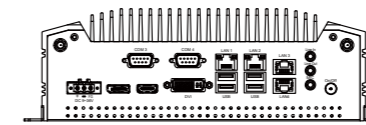
System	
Processor	Intel 6th/7th Gen. Skylake/Kaby Lake Core™ i7/i5/i3 CPU with 35W TDP Support
System Chipset	Intel H170 Chipset
System Memory	2 x 260-pin SO-DIMM slot up to 32GB DDR4 1866/2133 MHz
Outside IO Port	
USB	4 x USB 3.0 type A, 2 x USB 2.0 type A
Serial/Parallel	2 x RS-232/422/485 DB-9, COM1/COM2, default RS-232 2 x RS-232 DB-9, COM3/COM4
Audio	1 x Line-in, 1 x Line-out, 1 x Mic
LAN	4 x GbE LAN RJ-45
Display Interface	1 x Display port, 1 x DVI-I, 1 x HDMI
GPIO	1 x GPIO 8-bit digital I/O(4 x DI, 4 x DO)
Power	1 x 3-pin DC power input terminal, 1 x power button with light
Storage	
Storage	2 x 2.5" SATA3 HDD bay (easy accessible), support RAID 0.1
Expansion for ACS-2330	
On Board Expansion Bus	3 x Mini PCIe slot full size (one shared with mSATA)
Expansion for ACS-2332	
On Board Expansion Bus	3 x Mini PCIe slot full size (one shared with mSATA)
Expansion Slot	2 x PCIe x1 slots default 1 x PCIe x4 slot option
Power	
Power Input	DC 9~36V
Power Consumption	MAX: 56.3W (ACS-2330) / MAX: 60.4W (ACS-2332)
Mechanical	
Construction	Plating Titanium Gray Aluminum Heatsink and Black Steel Chassis
IP Rating	IP20
Mounting	Wall Mount / Din Rail (option) only for ACS-2330
Dimension	IOT-2330: 277.8 x 230 x 86.7 mm IOT-2332: 280 x 230 x 134.6 mm
Net Weight	IOT-2330: 4.5 kg IOT-2332: 5.5 kg
Environmental	
Operating Temperature	0~50°C / -20~60°C (option)
Storage Temperature	-40~85 °C
Storage Humidity	10~90% @40 °C non-condensing
Certificate	CE / FCC Class A

Dimensions

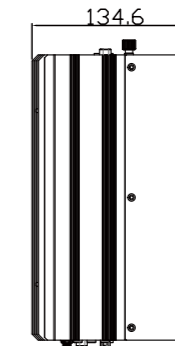
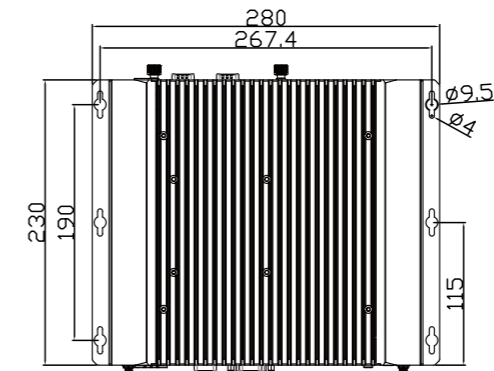
ACS-2330



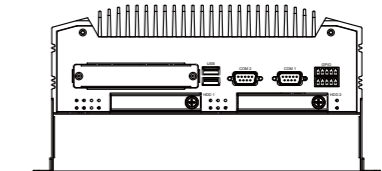
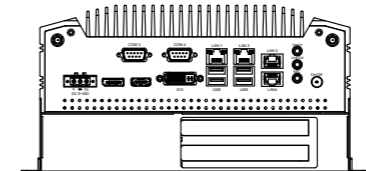
UNIT: mm
Tolerance: ± 0.5



ACS-2332



UNIT: mm
Tolerance: ± 0.5



Operating System Support

Windows Embedded 8.1 Industry Pro
Windows Embedded 8 Standard
Windows 10 IOT 2016

Ordering Information

IOT-2330 (Barebone) Fanless Box PC, Intel 6th/7th Core i CPU, 2 x SO-DIMM, DDR4 slots, 2 x 2.5" HDD space, 3 x mini-PCIe slots, DC 9~36V power input with adaptor, Steel Chassis with Aluminum Heat sink

IOT-2332 (Barebone) Fanless Box PC, Intel 6th/7th Core i CPU, 2 x SO-DIMM, DDR4 slots, 2 x 2.5" HDD space, 3 x mini-PCIe slots, 2 x PCIe x1 slot, DC 9~36V power input with adaptor, Steel Chassis with Aluminum Heat sink



ADITECH ICT PRIVATE LIMITED
803, Sigma IT Park,
Plot NoR203/204,
TTC Industrial Area.
Thane Belapur Road,
Rabale , Navi Mumbai - 400701 Tel :
+91 9819884527
Email : sales@aditech.in
Website : www.aditech.in