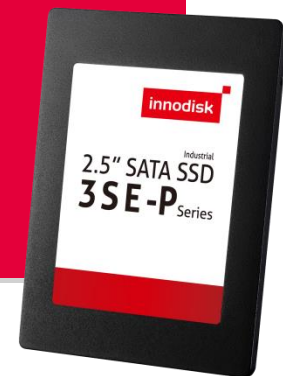


Datasheet

2.5" SATA SSD

3SE-P series

- 2.5" SATA III solution for industrial field
- Built-in DRAM buffer
- iSMART disk health monitoring
- Intelligent error recovery system
- Excellent data transfer speed
- iData Guard
- iCell Technology (Optional)



Introduction

Innodisk 2.5" SATA SSD 3SE-P is SATA III 6Gb/s Flash based disk, which delivers excellent performance and reliability making it the ideal solution for a variety of applications, including embedded system, industrial computing, and enterprise field. 3SE-P 2.5" SSD not only performs unmatched performance, but also designed with Innodisk owned technical knowhow to ensure the data integrity and highest levels of reliability.

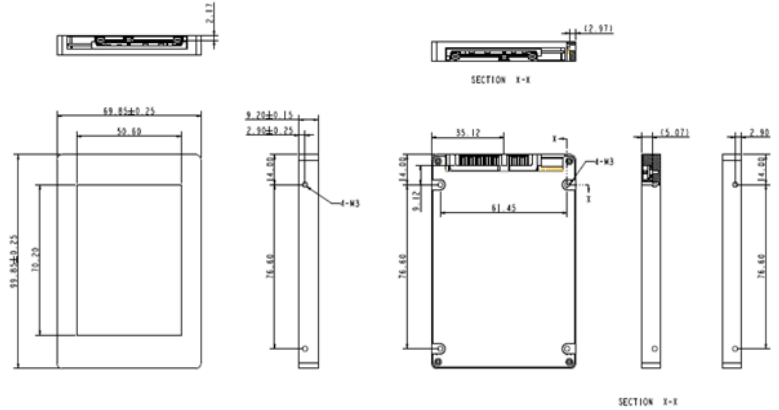
2.5" SATA SSD

3SE-P series

Drawing

Contact us for more information about the 2.5" SATA SSD 3SE-P

Innodisk is a service-driven provider of industrial embedded flash and DRAM storage products and technologies, with a focus on the industrial/embedded, aerospace and defense, and cloud computing industries.



Specifications

Interface	SATA III
Flash Type	SLC
Capacity	8GB~256GB
Max. Channels	4
Sequential R/W (MB/sec, max.)	510 / 340
Max. Power Consumption	3.0W (5V x 600 mA)
Thermal Sensor	WT Only
External DRAM Buffer	√
iCell	√
H/W Write Protect	-
Pin7 Power	-
ATA Security	√
S.M.A.R.T.	√
Dimension (WxLxH)	69.85 X99.85 X 9.20 mm
Environment	Vibration: 20G @7~2000Hz Shock: 1500G @ 0.5ms Storage Temperature: -55°C ~ +95°C MTBF: 3 million hours

Headquarters (Taiwan)

5F., No.237, Sec. 1, Datong Rd.,
Xizhi Dist., New Taipei City,
Taiwan (R.O.C.)
Tel: +886-2-77033000
Email: sales@innodisk.com

Branch Offices:

USA
usasales@innodisk.com
+1-510-770-9421
Europe
eusales@innodisk.com
+31-040-282-1818
Japan
jpsales@innodisk.com
+81-3-6667-0161
China
sales_cn@innodisk.com
+86-755-21673689
www.innodisk.com

© 2015 Innodisk Corporation.
All right reserved. Specifications
are subject to change without
prior notice.

Ordering Information

20151223

Operation Temp.	8GB	16GB	32GB	64GB	128GB	256GB
Standard Grade (0°C ~ +70°C)	DES25-08GD67SCCQB(P)	DES25-16GD67SCCQB(P)	DES25-32GD67SCCQB(P)	DES25-64GD67SCCQB(P)	DES25-A28D67SCCQB(P)	DES25-B56D67SCCQB(P)
Industrial Grade (-40°C ~ +85°C)	DES25-08GD67SWCQB(P)	DES25-16GD67SWCQB(P)	DES25-32GD67SWCQB(P)	DES25-64GD67SWCQB(P)	DES25-A28D67SWCQB(P)	DES25-B56D67SWCQB(P)