

Datasheet

# CFexpress 3ME2 series

- PCIe Gen. III x2, NVMe 1.2
- Excellent data transfer speed
- Zero mechanical interference
- LDPC ECC engine supported.
- End-to-end Data Path Protection
- Support Write Protect Function



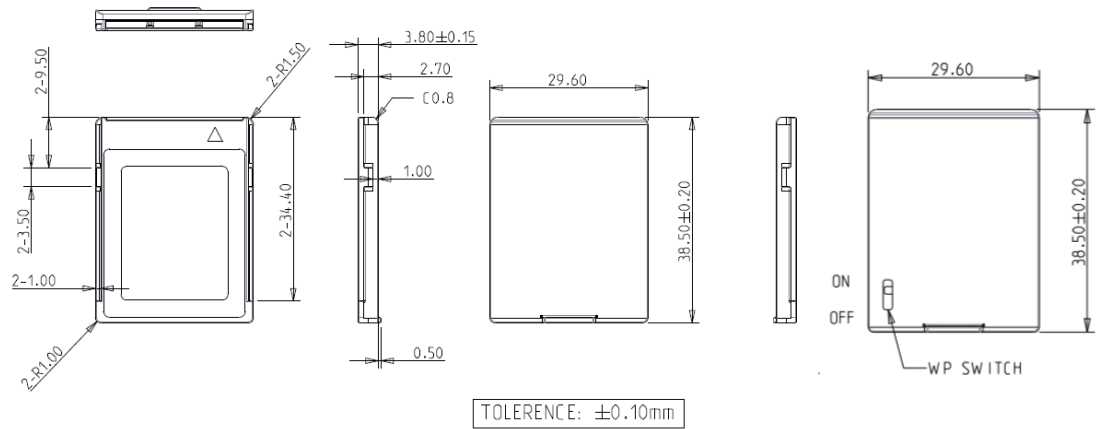
## Introduction

Innodisk CFexpress 3ME2 is followed by CFexpress 1.0 type B, with PCIe interface and MLC NAND Flash. CFexpress 3ME2 supports PCIe Gen III x2, and it is compliant with NVM 1.2 providing excellent performance. Moreover, it adopts MLC NAND Flash providing high endurance and reliability. With sophisticated error detection and correction (ECC) functions, the module can ensure full End-to-end Data Path Protection that secures the data transmission between host system and NAND Flash.

Innodisk CFexpress 3ME2 is a small and removable memory card providing low latency and extreme speed but with low power consumption and efficient heat dissipation. It is ideal for gaming, edge computing and professional digital recording.

# CFexpress 3ME2 series

## Diagram



Contact us for more information about the CFexpress 3ME2.

Innodisk is a service-driven provider of industrial embedded flash and DRAM storage products and technologies, with a focus on the cloud computing, industrial/embedded, and aerospace and defense industries.

### Headquarters (Taiwan)

5F., No. 237, Sec. 1, Datong Rd., Xizhi Dist., New Taipei City 221, Taiwan  
Tel: +886-2-7703-3000  
Email: sales@innodisk.com

### Branch Offices:

USA  
[usasales@innodisk.com](mailto:usasales@innodisk.com)  
+1-510-770-9421  
Europe  
[eusales@innodisk.com](mailto:eusales@innodisk.com)  
+31-40-3045-400  
Japan  
[jpsales@innodisk.com](mailto:jpsales@innodisk.com)  
+81-3-6667-0161  
China  
[sales\\_cn@innodisk.com](mailto:sales_cn@innodisk.com)  
+86-755-21673689  
[www.innodisk.com](http://www.innodisk.com)

© 2019 Innodisk Corporation.  
All right reserved. Specifications are subject to change without prior notice.

20190816

## Specifications

Interface	PCIe Gen. III x2
Flash Type	MLC
P/E cycle	3,000
Capacity	32GB~256GB
Max. Channels	4
Sequential R/W (MB/sec, max.)	1300/340
Max. Power Consumption(rms)	2.75W(3.3Vx831mA)
Thermal Sensor	√
External DRAM buffer	-
H/W Write Protect	√(optional)
Dimension (WxLxH)	29.6 X 38.5 X 3.8 mm
Environment	Vibration: 20G @7~2000Hz Shock: 1500G @ 0.5ms Storage Temperature: -55°C ~ +95°C MTBF: 3,000,000

## Ordering Information

Operation Temp.	32GB	64GB	128GB	256GB
Standard Grade (0°C ~ +70°C)	DECFX-32GM61BCADC(W)	DECFX-64GM61BCAQC(W)	DECFX-A28M61BCAQC(W)	DECFX-B56M61BCAQC(W)
Industrial Grade (-40°C ~ +85°C)	DECFX-32GM61BWADC(W)	DECFX-64GM61BWAQC(W)	DECFX-A28M61BWAQC(W)	DECFX-B56M61BWAQC(W)

W: optional HW Write Protect



Authorised Distributor  
**ADITECH ICT PVT. LTD.**

803,sigma IT park, plat no 203/204 Rabale, TTC Industrial area,Thane-Belapur road,Rabale-400701

Tel: 9819884527 Email:[sales@aditech.in](mailto:sales@aditech.in) Website:[www.aditech.in](http://www.aditech.in)