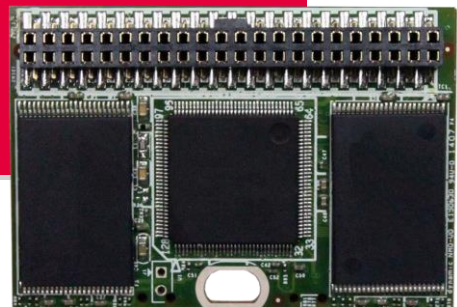


Datasheet

# EDC 1SE series

- iSMART disk health monitoring
- Intelligent error recovery system
- Excellent data transfer speed
- Write protection security
- Enhanced power cycling management



## Introduction

The Innodisk Embedded DISK CARD 1SE (EDC 1SE) products provide high capacity solid-state flash memory that electrically complies with the Personal Computer Memory Card International Association ATA standard. Innodisk Embedded DISK CARD 1SE (EDC 1SE) is embedded solid-state data storage systems for industrial work place. Embedded DISK CARD 1SE (EDC 1SE) features an extremely light weight, reliable, low-profile form factor.

Embedded DISK CARD 1SE (EDC 1SE) supports advanced PIO (0-4), Multi Word DMA (0-2), Ultra DMA (0-4) transfer modes, multi-sector transfers, and LBA addressing

Contact us for more information about the EDC 1SE

Innodisk is a service-driven provider of industrial embedded flash and DRAM storage products and technologies, with a focus on the cloud computing, industrial/embedded, and aerospace and defense industries.

**Headquarters (Taiwan)**

5F., No.237, Sec. 1, Datong Rd., Xizhi Dist., New Taipei City 221, Taiwan (R.O.C.)

Tel: +886-2-77033000

Email: [sales@innodisk.com](mailto:sales@innodisk.com)

**Branch Offices:**

USA

[usasales@innodisk.com](mailto:usasales@innodisk.com)

+1-510-770-9421

Europe

[eusales@innodisk.com](mailto:eusales@innodisk.com)

+31-40-3045-400

Japan

[jpsales@innodisk.com](mailto:jpsales@innodisk.com)

+81-3-6667-0161

China

[sales\\_cn@innodisk.com](mailto:sales_cn@innodisk.com)

+86-755-21673689

[www.innodisk.com](http://www.innodisk.com)

© 2018 Innodisk Corporation.

All right reserved. Specifications

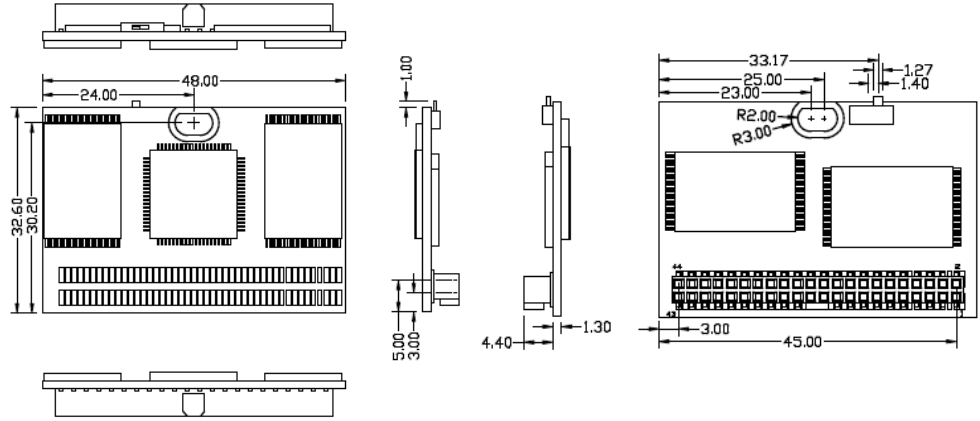
are subject to change without

prior notice.

20180222

# EDC 1SE series

## Diagram



## Specifications

Interface	PATA
Flash Type	SLC
Capacity	512MB~8GB
Max. Channels	2
Sequential R/W (MB/sec, max.)	40/28
Max. Power Consumption	0.76W(3.3V x 230mA)
Thermal Sensor	ST- optional/ WT-default
External DRAM Buffer	-
H/W Write Protect	Optional
ATA Security	√
S.M.A.R.T.	√
Dimension (WxLxH)	48X 32.6 X 7.3 mm
Environment	Vibration: 20G @7~2000Hz Shock: 1500G @ 0.5ms Storage Temperature: -55°C ~ +95°C MTBF: 3 million hours

## Ordering Information

Operation Temp.	512MB	1GB	2GB	4GB	8GB
Standard Grade (0°C ~ +70°C)	DE4P%- 512D41AC1SB	DE4P%- 01GD41AC1DB	DE4P%- 02GD41AC1DB	DE4P%- 04GD41AC1DB	DE4P%- 08GD41AC1DB
Industrial Grade (-40°C ~ +85°C)	DE4P%- 512D41AW1SB	DE4P%- 01GD41AW1DB	DE4P%- 02GD41AW1DB	DE4P%- 04GD41AW1DB	DE4P%- 08GD41AW1DB

%=A~F, refer to horizontal Type A~F, see the detailed mechanism in TPS.