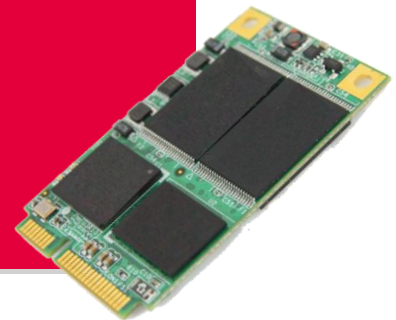


Datasheet

mSATA

2SR series

- Compliant with MIL-STD-810-F/G
- Data Security (QEraser/ SEraser/ Destroy/ Write Protect)
- Conformal coating (Optional)
- Excellent data transfer rate



Introduction

Innodisk's mSATA 2SR is designed in a standard mini PCIe form factor with a SATA interface. It comes with several data security functions, including SEraser, QEraser, Destroy, Write Protect. The mSATA 2SR also supports the SATA II standard (3.0Gb/s) and is compliant with JEDEC MO-300 standards and SATA-IO mini SATA standards. The mSATA 2SR is an SLC-based flash device and is available in capacities from 4GB up to 64GB.

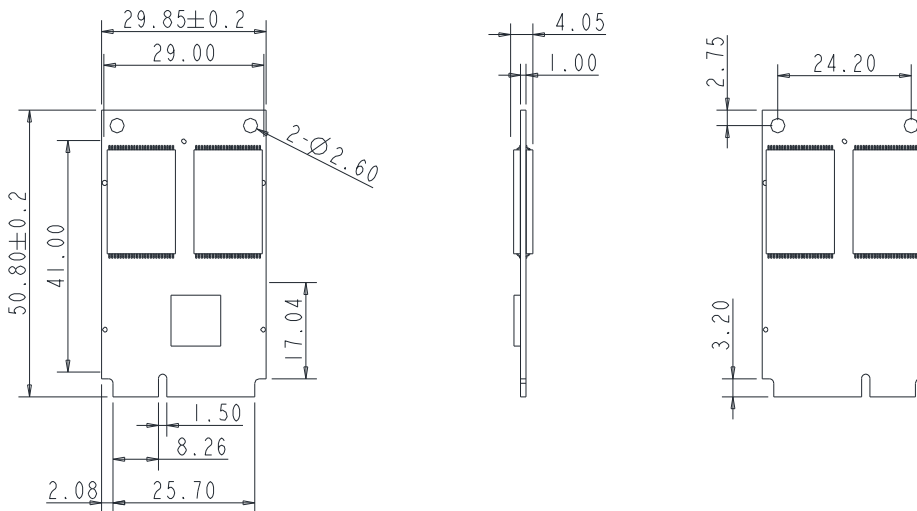
mSATA

2SR series

Drawing

Contact us for more information about the mSATA 2SR

Innodisk is a service-driven provider of industrial embedded flash and DRAM storage products and technologies, with a focus on the industrial/embedded, aerospace and defense, and cloud computing industries.



Specifications

Headquarters (Taiwan)

9F., No.100, Sec. 1, Xintai 5th Rd., Xizhi Dist., New Taipei City, Taiwan (R.O.C.)
 Tel: +886-2-26963000
 Email: sales@innodisk.com

Branch Offices:

USA
usasales@innodisk.com
 +1-510-770-9421

Europe
eusales@innodisk.com
 +31-040-282-1818

Japan
jpsales@innodisk.com
 +81-3-6661-9846

China
sales_cn@innodisk.com
 +86-755-21673689
www.innodisk.com

© 2012 Innodisk Corporation.
 All right reserved. Specifications are subject to change without prior notice.

20130614

| | |
|-------------------------------|-----------------------------------------------------------------------------------------------------------------|
| Interface | SATA II |
| Flash Type | SLC |
| Flash P/E Cycle Limit | 100,000 |
| Capacity | 4GB~64GB |
| Max. Channels | 4 |
| Sequential R/W (MB/sec, max.) | 110 / 90 |
| Max. Power Consumption | 1.72 W (3.3V x 520 mA) |
| Thermal Sensor | ✓ |
| External DRAM Buffer | ✓ |
| H/W Write Protect | - |
| Pin7 Power | - |
| ATA Security | ✓ |
| S.M.A.R.T. | ✓ |
| Dimension (WxLxH) | 29.8 X 50.8 X 4.1 mm |
| Environment | Vibration: 20G @7~2000Hz Shock: 1500G @ 0.5ms Storage Temperature: -55°C ~ +95°C MTBF: 3 million hours |

Ordering Information

| Operation Temp. | 4GB | 8GB | 16GB | 32GB | 64GB |
|-------------------------------------|-------------------|-------------------|-------------------|-------------------|-------------------|
| Standard Grade (0°C ~ +70°C) | DRMSR-04GJ21AC1QB | DRMSR-08GJ21AC1QB | DRMSR-16GJ21AC1QB | DRMSR-32GJ21AC1QB | DRMSR-64GJ21AC1QB |
| Industrial Grade (-40°C ~ +85°C) | DRMSR-04GJ21AW1QB | DRMSR-08GJ21AW1QB | DRMSR-16GJ21AW1QB | DRMSR-32GJ21AW1QB | DRMSR-64GJ21AW1QB |