

Datasheet

mSATA

3IE2-P series

- Exclusive iSLC FW architecture
- SATA 6.0 Gb/s interface
- JEDEC MO-300 standard dimension
- High IOPS by on-board DRAM design
- Intelligent error recovery system
- iSMART disk health monitoring
- iData Guard for abnormal power failure
- Zero mechanical interference
- DEVSLP supported



Introduction

Innodisk mSATA 3IE2-P is SATA III 6Gb/s flash based disk, which delivers excellent performance, especially in random data transfer rate, and which offers reliability making it the ideal solution for a variety of applications, including embedded system, industrial computing, and enterprise field. 3IE2-P mSATA not only performs unmatched performance, but also designed with Innodisk owned technical knowhow such as iData Guard to ensure the data integrity and highest levels of reliability. Featuring L² architecture, the life span of the SSD is maximized by an evolved wear leveling algorithm.

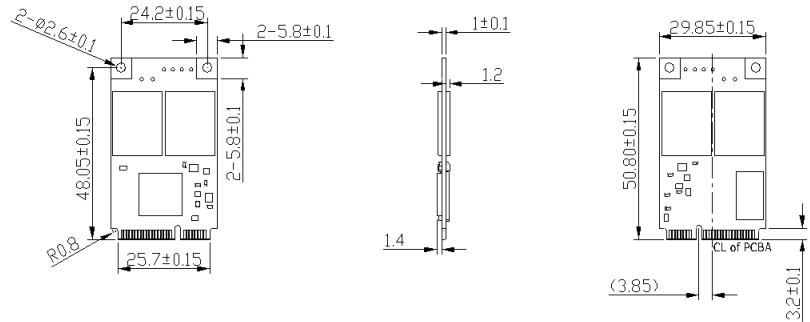
mSATA

3IE2-P series

Diagram

Contact us for more information about the mSATA 3IE2-P.

Innodisk is a service-driven provider of industrial embedded flash and DRAM storage products and technologies, with a focus on the industrial/embedded, aerospace and defense, and cloud computing industries.



TOLERANCE:±0.20 mm
UNIT:mm

Specifications

Interface	SATA III
Flash Type	MLC
Capacity	8GB~256GB
Max. Channels	4
Sequential R/W (MB/sec, max.)*	560 / 470
4KB Random (QD32) R/W (IOPS)**	51,000/46,000
Max. Power Consumption	2.8 W (3.3 V x 0.86 A)
Thermal Sensor	√
External DRAM Buffer	√
H/W Write Protect	Optional
ATA Security	√
S.M.A.R.T.	√
DEVSLP Mode	√ (min. power consumption 3mW)
Slumber Mode	√ (min. power consumption 30mW)
Dimension (WxLxH)	29.85 X 50.8 X 3.6 mm
Environment	Vibration: 20G @7~2000Hz Shock: 1500G @ 0.5ms Storage Temperature: -55°C ~ +95°C MTBF: 3 million hours
* Sequential performance based on CrystalDiskMark 3.01 with file size 1000MB	
** Random performance based on IOMeter with Queue Depth 32	

Headquarters (Taiwan)

5F., No.237, Sec. 1, Datong Rd., Xizhi Dist., New Taipei City, Taiwan (R.O.C.)
 Tel: +886-2-77033000
 Email: sales@innodisk.com

Branch Offices:

USA
usasales@innodisk.com
 +1-510-770-9421
 Europe
eusales@innodisk.com
 +31-40-3045-400
 Japan
jpsales@innodisk.com
 +81-3-6667-0161
 China
sales_cn@innodisk.com
 +86-755-21673689
www.innodisk.com

© 2017 Innodisk Corporation.
 All right reserved. Specifications are subject to change without prior notice.

20170411

Ordering Information (Please refer to TPS for detail)

Operation Temp.	8GB	16GB	32GB	64GB	128GB	256GB
Standard Grade (0°C ~ +70°C)	DHMSR-08GD81BC1SC	DHMSR-16GD81BC1QC	DHMSR-32GD81BC1QC	DHMSR-64GD81BC1QC	DHMSR-A28D81BC1QC	DHMSR-B56D81BCBQC
Industrial Grade (-40°C ~ +85°C)	DHMSR-08GD81BW1SC	DHMSR-16GD81BW1QC	DHMSR-32GD81BW1QC	DHMSR-64GD81BW1QC	DHMSR-A28D81BW1QC	DHMSR-B56D81BWBQC