

Datasheet

mSATA

3ME3 series

- SATA 6.0 Gb/s interface
- iSMART disk health monitoring
- Intelligent error recovery system
- Excellent data transfer speed
- Zero mechanical interference
- Anti-vibration mechanical design
- JEDEC standard MO-300 dimension



Introduction

Innodisk mSATA 3ME3 is designed with mSATA form factor by MO-300/MO-300B which established by JEDEC, and support SATA III standard (6.0 Gb/s) with excellent performance. Regarding of mechanical interference, Innodisk mSATA 3ME3 absolutely replaces the traditional hard disk and makes personal computer, in any field, smaller and easier.

Innodisk mSATA 3ME3 effectively reduces the booting time of operation system and the power consumption is less than hard disk drive (HDD), and complies with ATA protocol, no additional drives are required, and can be configured as a boot device or data storage device.

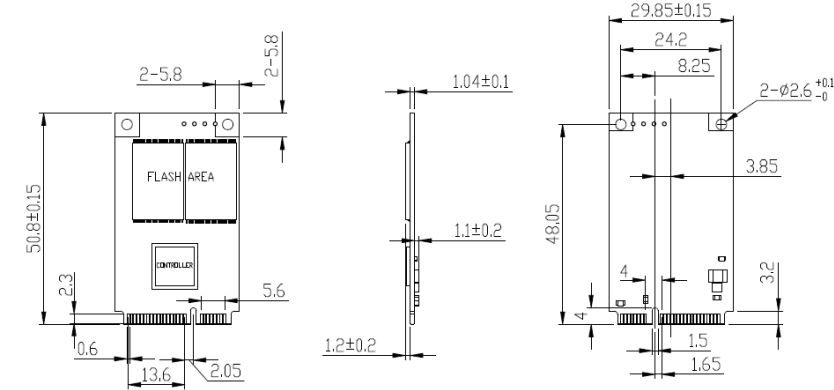
mSATA

3ME3 series

Diagram

Contact us for more information about the mSATA 3ME3.

Innodisk is a service-driven provider of industrial embedded flash storage products and technologies, with a focus on the cloud computing, industrial/embedded, and aerospace and defense industries.



Specifications

Headquarters (Taiwan)

5F., No. 237, Sec. 1, Datong Rd., Xizhi Dist., New Taipei City 221, Taiwan (R.O.C.)
 Tel: +886-2-77033000
 Email: sales@Innodisk.com

Branch Offices:

USA
usasales@Innodisk.com
 +1-510-770-9421
 Europe
esusales@Innodisk.com
 +31-(0)40-282-1818
 Japan
jpsales@Innodisk.com
 +81-3-6667-0161
 China
sales_cn@Innodisk.com
 +86-755-21673689
www.Innodisk.com

© 2016 Innodisk Corporation.
 All right reserved. Specifications are subject to change without prior notice.

20160922

Interface	SATA III
Flash Type	MLC
Capacity	08GB~512GB
Max. Channels	4
Sequential R/W (MB/sec, max.)	400/200
Max. Power Consumption	1.4 W (3.3V x 433.6 mA)
Thermal Sensor	ST- Optional / WT-Default
TRIM	√
External DRAM buffer	-
Quick Erase	Optional
H/W Write Protect	Optional
ATA Security	√
S.M.A.R.T.	√
Dimension (WxLxH)	29.8 X 50.8 X 3.3 mm
Environment	Vibration: 20G @ 7~2000Hz Shock: 1500G @ 0.5ms Storage Temperature: -55°C ~ +95°C MTBF: 3 million hours

Ordering Information

Operation Temp.	08GB	16GB	32GB	64GB	128GB	256GB	512GB
Standard Grade (0°C ~ +70°C)	DEMSR-08GD09BC2SC	DEMSR-16GD09BC2SC DEMSR-16GD09BC2DC	DEMSR-32GD09BC2DC DEMSR-32GD08BC1QC	DEMSR-64GD09BC2DC DEMSR-64GD08BC1QC	DEMSR-A28D09BC2DC DEMSR-A28D08BC1QC	DEMSR-B56D08BCBQC	DEMSR-C12D08BCBQC
Industrial Grade (-40°C ~ +85°C)	DEMSR-08GD09BW2SC	DEMSR-16GD09BW2SC DEMSR-16GD09BW2DC	DEMSR-32GD09BW2DC DEMSR-32GD08BW1QC	DEMSR-64GD09BW2DC DEMSR-64GD08BW1QC	DEMSR-A28D09BW2DC DEMSR-A28D08BW1QC	DEMSR-B56D08BWBQC	DEMSR-C12D08BWBQC