

Datasheet

# mSATA

## 3SE-P SERIES

- SATA 6Gb/S interface
- iSMART disk health monitoring
- Intelligent error recovery system
- Excellent data transfer speed
- Great I.O.P.S for best system reaction
- Build-in Dram buffer
- Zero mechanical interference
- Anti-vibration mechanical design
- JEDEC standard MO-300 dimension



## Introduction

Innodisk mSATA 3SE-P is designed as the standard Mini PCIe form factor with SATA interface, and supports SATA III standard (6.0Gb/s) with excellent performance. The form factor refers to the MO-300 specification which established by JEDEC. Regarding of mechanical interference, Innodisk mSATA 3SE-P absolutely replaces the traditional hard disk and makes personal computer, in any field, smaller and easier.

Innodisk mSATA 3SE-P effectively reduces the booting time of operation system and the power consumption is less than hard disk drive (HDD), and complies with ATA protocol, no additional drives are required, and can be configured as a boot device or data storage device.

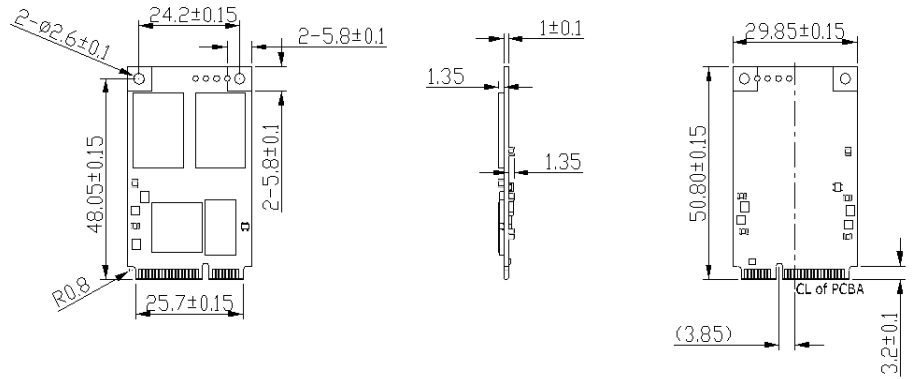
# mSATA

## 3SE-P series

**Contact us for more information about the mSATA 3SE-P.**

Innodisk is a service-driven provider of industrial embedded flash and DRAM storage products and technologies, with a focus on the cloud computing, industrial/embedded, and aerospace and defense industries.

### Diagram



TOLERANCE:  $\pm 0.20$  mm  
UNIT:mm

### Headquarters (Taiwan)

5F., No.237, Sec. 1, Datong Rd.,  
Xizhi Dist., New Taipei City,  
Taiwan (R.O.C.)  
Tel: +886-2-77033000  
Email: [sales@innodisk.com](mailto:sales@innodisk.com)

### Branch Offices:

USA  
[usasales@innodisk.com](mailto:usasales@innodisk.com)  
+1-510-770-9421  
Europe  
[eusales@innodisk.com](mailto:eusales@innodisk.com)  
+31-040-282-2382  
Japan  
[jpsales@innodisk.com](mailto:jpsales@innodisk.com)  
+81-45-594-7581  
China  
[sales\\_cn@innodisk.com](mailto:sales_cn@innodisk.com)  
+86-755-21673689  
[www.innodisk.com](http://www.innodisk.com)

© 2015 Innodisk Corporation.  
All right reserved. Specifications  
are subject to change without  
prior notice.

20150813

### Specifications

|                               |   |
|-------------------------------|---|
| Interface                     | SATA III  |
| Flash Type                    | SLC   |
| Capacity                      | 4GB~128GB   |
| Max. Channels                 | 4   |
| Sequential R/W (MB/sec, max.) | 470 / 250   |
| Max. Power Consumption        | 1.2 W (3.3V x 360 mA )  |
| Thermal Sensor                | Optional  |
| External DRAM Buffer          | √   |
| H/W Write Protect             | -   |
| ATA Security                  | √   |
| S.M.A.R.T.                    | √   |
| Dimension (WxLxH)             | 29.85 X 50.8 X 3.7 mm   |
| Environment                   | Vibration: 20G @7~2000Hz<br>Shock: 1500G @ 0.5ms<br>Storage Temperature: -55°C ~ +95°C<br>MTBF: 3 million hours |

### Ordering Information

| Operation Temp.                     | 4GB               | 8GB               | 16GB              | 32GB              | 64GB              | 128GB             |
|-------------------------------------|-------------------|-------------------|-------------------|-------------------|-------------------|-------------------|
| Standard Grade<br>(0°C ~ +70°C)     | DEMSR-04GD67SCBDB | DEMSR-08GD67SCBQB | DEMSR-16GD67SCBQB | DEMSR-32GD67SCBQB | DEMSR-64GD67SCBQB | DEMSR-A28D67SCBQT |
| Industrial Grade<br>(-40°C ~ +85°C) | DEMSR-04GD67SWBDB | DEMSR-08GD67SWBQB | DEMSR-16GD67SWBQB | DEMSR-32GD67SWBQB | DEMSR-64GD67SWBQB | DEMSR-A28D67SWBQT |