

Datasheet

mSATA

3SE4 series

- SATA 6.0 Gb/s interface
- Followed JEDEC MO-300/MO-300B standard
- LDPC technology secures SSD reliability
- DRAM-less, high-level data integrity
- L³ architecture extends lifespan
- Excellent IOPS boosts system performance
- Built-in thermal sensor
- Support S.M.A.R.T, TRIM, NCQ and iData Guard



Introduction

Innodisk mSATA 3SE4 is SATA III 6.0 Gb/s flash based disk, which adopts latest Marvell NAND controller with Innodisk's exclusive L³ FW architecture. The upgraded L³ FW architecture, combining Innodisk signature 4K mapping algorithm L² FW architecture with powerful LDPC technology, makes 3SE4 series have outstanding high IOPS, better data integrity and extended lifespan through reducing the bad block number happening. Built-in thermal sensor, and iData Guard ensure data integrity and reliability of mSATA 3SE4 for industrial applications.

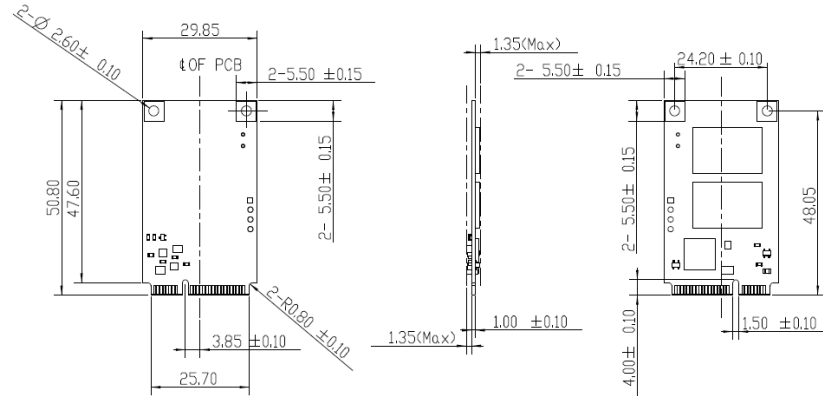
mSATA

3SE4 series

Diagram

Contact us for more information about the mSATA 3SE4.

Innodisk is a service-driven provider of industrial embedded flash and DRAM storage products and technologies, with a focus on the industrial/embedded, aerospace and defense, and cloud computing industries.



Specifications

Headquarters (Taiwan)

5F., No.237, Sec. 1, Datong Rd., Xizhi Dist., New Taipei City, Taiwan (R.O.C.)

Tel: +886-2-77033000

Email: sales@innodisk.com

Branch Offices:

USA

usasales@innodisk.com

+1-510-770-9421

Europe

esusales@innodisk.com

+31-(0)40-282-1818

Japan

jpsales@innodisk.com

+81-3-6667-0161

China

sales_cn@innodisk.com

+86-755-21673689

www.innodisk.com

© 2017 Innodisk Corporation.

All right reserved. Specifications are subject to change without prior notice.

20170908

Interface	SATA III
Flash Type	SLC
Capacity	8GB~64GB
Max. Channels	2
Sequential R/W (MB/sec, max.)*	525 / 345 MB/s
4KB Random (QD32) R/W (IOPS)**	31,000/28,000
Max. Power Consumption	1.32 W (3.3 V x 0.4 A)
Thermal Sensor	√
External DRAM Buffer	-
H/W Write Protect	Optional
ATA Security	√
S.M.A.R.T.	√
Dimension (WxLxH)	29.85 X 50.8 X 3.7 mm
Environment	Vibration: 20G @7~2000Hz Shock: 1500G @ 0.5ms Storage Temperature: -55°C ~ +95°C MTBF: 3 million hours
* Sequential performance based on CystalDiskMark 3.01 with file size 1000MB	
** Random performance based on IOMeter with Queue Depth 32	

Ordering Information (Please refer to TPS for detail)

Operation Temp.	8GB	16GB	32GB	64GB
Standard Grade (0°C ~ +70°C)	DEMSR-08GM41SCADB	DEMSR-16GM41SCADB	DEMSR-32GM41SCADB	DEMSR-64GM41SCADB
Industrial Grade (-40°C ~ +85°C)	DEMSR-08GM41SWADB	DEMSR-16GM41SWADB	DEMSR-32GM41SWADB	DEMSR-64GM41SWADB