

Datasheet

mSATA

3SE SERIES

- SATA 6Gb/S interface
- iSMART disk health monitoring
- Intelligent error recovery system
- Excellent data transfer speed
- Zero mechanical interference
- Anti-vibration mechanical design
- JEDEC standard MO-300 dimension



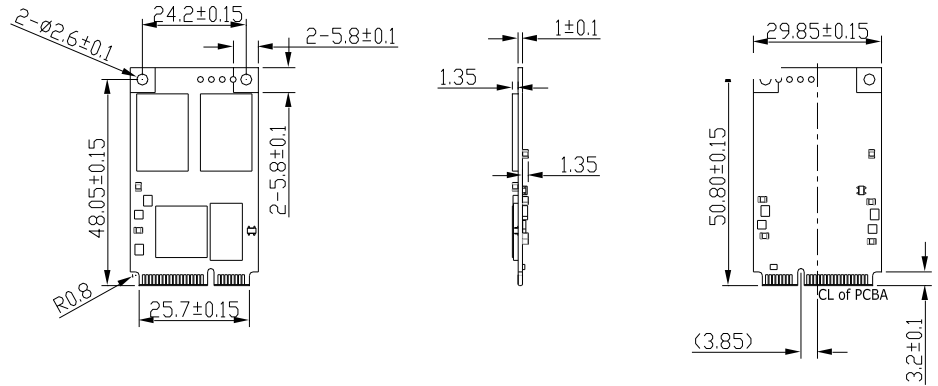
Introduction

Innodisk mSATA 3SE is designed as the standard Mini PCIe form factor with SATA interface, and supports SATA III standard (6.0Gb/s) with excellent performance. The form factor refers to the MO-300 specification which established by JEDEC. Regarding of mechanical interference, Innodisk mSATA 3SE absolutely replaces the traditional hard disk and makes personal computer, in any field, smaller and easier.

Innodisk mSATA 3SE effectively reduces the booting time of operation system and the power consumption is less than hard disk drive (HDD), and complies with ATA protocol, no additional drives are required, and can be configured as a boot device or data storage device.

mSATA 3SE series

Diagram



TOLERANCE:±0.20 mm
UNIT:mm

Contact us for more information about the mSATA 3SE.

Innodisk is a service-driven provider of industrial embedded flash and DRAM storage products and technologies, with a focus on the cloud computing, industrial/embedded, and aerospace and defense industries.

Headquarters (Taiwan)

5F., No.237, Sec. 1, Datong Rd., Xizhi Dist., New Taipei City, Taiwan (R.O.C.)
Tel: +886-2-77033000
Email: sales@innodisk.com

Branch Offices:

USA
usasales@innodisk.com
+1-510-770-9421
Europe
eusales@innodisk.com
+31-040-282-2382
Japan
jpsales@innodisk.com
+81-45-594-7581
China
sales_cn@innodisk.com
+86-755-21673689
www.innodisk.com

© 2015 Innodisk Corporation.
All right reserved. Specifications are subject to change without prior notice.

Specifications

Interface	SATA III
Flash Type	SLC
Capacity	1GB~64GB
Max. Channels	4
Sequential R/W (MB/sec, max.)	460 / 230
Max. Power Consumption	1.2 W (3.3V x 360 mA)
Thermal Sensor	Optional
External DRAM Buffer	-
H/W Write Protect	-
ATA Security	√
S.M.A.R.T.	√
Dimension (WxLxH)	29.8 X 50.8 X 3.3 mm
Environment	Vibration: 20G @7~2000Hz Shock: 1500G @ 0.5ms Storage Temperature: -55°C ~ +95°C MTBF: 3 million hours

20150805

Ordering Information

Operation Temp.	01GB	02GB	04GB	08GB	16GB	32GB	64GB
Standard Grade (0°C ~ +70°C)	DEMSR-01GD07AC2 SB	DEMSR-02GD07AC2 DB	DEMSR-04GD06SCB DB	DEMSR-08GD06SCB QB	DEMSR-16GD06SCB QB	DEMSR-32GD06SCB QB	DEMSR-64GD06SCB QB
Industrial Grade (-40°C ~ +85°C)	DEMSR-01GD07AW 2SB	DEMSR-02GD07AW2 DB	DEMSR-04GD06SWB DB	DEMSR-08GD06SWB QB	DEMSR-16GD06SWB QB	DEMSR-32GD06SWB QB	DEMSR-64GD06SWB QB