

MODEL TMPRT - SURFACE MOUNT AND PIPE PLUG RTD SENSORS



SURFACE MOUNT



PIPE PLUG

MODEL TMPRT - ADVANCED DESIGN SURFACE MOUNT RTD SENSOR

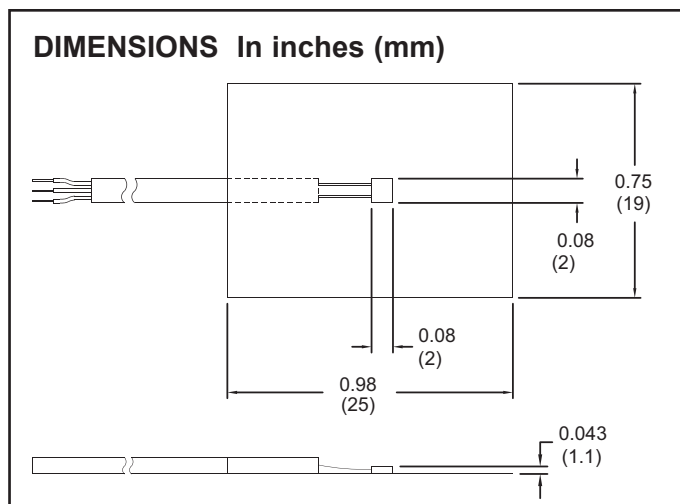
GENERAL DESCRIPTION

Model TMPRT “stick-on” style RTD temperature sensor mounts on flat surfaces and provides Class B accuracy. Based on a bare 2 X 2 X 0.08 mm thin film platinum RTD, the unit is supplied with PFA insulated wire and can be easily applied using its self-adhesive backing. Applications for this versatile RTD sensor include monitoring chip, heat sink, and environmental temperatures in electronic devices; checking pipe or duct temperatures; monitoring motor and transformer core heat; testing insulation capabilities, as well as use in other applications in which surface and/or gradient temperatures need to be monitored or controlled.

- 100 Ω DIN CLASS B (± 0.12 % AT 0 °C) ACCURACY STANDARD
- EASY-INSTALLATION SILICONE BASED, SELF BACKING RATED TO 500 °F (260 °C)
- SENSOR CAN BE REAPPLIED
- STRIPPED 3 WIRE LEADS (CONNECTORS SOLD SEPARATELY)
- 10 FOOT LEAD LENGTH
- IDEAL FOR FLAT OR CURVED SURFACES

SPECIFICATIONS

1. **MINIMUM/MAXIMUM TEMPERATURE:**
-100 °F (-73 °C) to 500 °F (260 °C) continuous
2. **SENSING ELEMENT:** Type 385 100Ω thin film DIN platinum.
3. **ACCURACY:** ± 0.12% at 0 °C (DIN Class B)
4. **RESPONSE TIME:** Less than 0.9 sec (63% response time in water flowing at 3 feet per second), less than 2 sec response time on a hot plate.
5. **LEAD WIRE:** 10 foot 26 AWG stranded nickel plated copper, PFA-insulated and jacket cable
6. **ADHESIVE PAD DIMENSIONS:** 1 x 0.75 x 0.01 " (25 x 19 x 0.3 mm)



ORDERING INFORMATION

MODEL NO.	DESCRIPTION	INSULATION TYPE	TERMINATION (COLD SIDE)	CABLE LENGTH (IN FEET)	PART NUMBER
TMPRT	SMT RTD	PFA	Stripped Wire Bare Ends	10	TMPRT001



Do not dispose of unit in trash - Recycle

MODEL TMPRT - PIPE PLUG RTD SENSOR

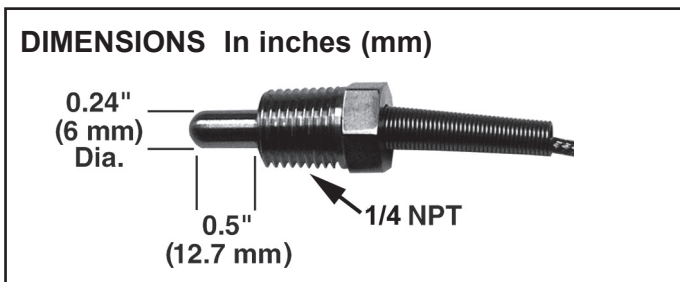
GENERAL DESCRIPTION

The pipe plug RTD sensor is a unit specially designed for use in pressure vessel applications. Its 3 wire construction provides connectivity to most hand held instruments. The unit features a high accuracy 100 Ω Class A DIN platinum element and steel braided, PFA insulated wires for the necessary durability and protection demanded by harsher environments.

- IDEAL FOR USE IN PRESSURE VESSEL APPLICATIONS, 172 BAR (2500 PSI) MAXIMUM
- 6 MM (0.24") DIAMETER, SST PROBE
- STEEL BRAIDED, PFA INSULATED LEAD WIRES
- HIGH ACCURACY 100 Ω CLASS A DIN THIN-FILM PLATINUM ELEMENT (ALPHA = 0.00385)
- STRAIN RELIEF SPRING

SPECIFICATIONS

1. **WIRE:** 26 AWG PFA insulated available in 6' or 20' length
Termination: Stripped bare wire ends
2. **MAX TEMPERATURE:** 450 °F (230 °C)
3. **OVERBRAID:** Stainless Steel
4. **THREADS:** 1/4" NPT
5. **SENSING ELEMENT END DIAMETER:** 0.24" (6mm)



ORDERING INFORMATION

MODEL NO.	DESCRIPTION	CABLE LENGTH (IN FEET)	PART NUMBER
TMPRT	Pipe Plug RTD Sensor	6'	TMPRT002
		20'	TMPRT003



Do not dispose of unit in trash - Recycle

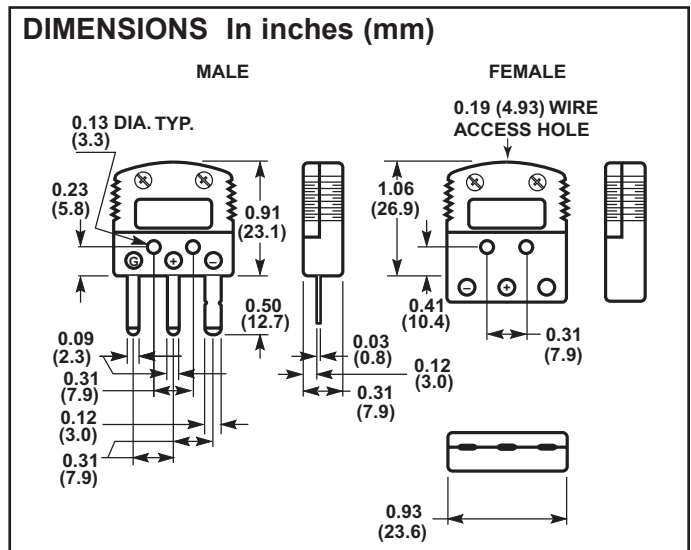
MODEL TMPCN - RTD PROBE CONNECTOR

GENERAL DESCRIPTION

RTD Mini Connectors are for use with RTD probes. They are miniature size, and are available in both male and female termination.

SPECIFICATIONS

1. **CONNECTOR BODY MATERIAL:** Glass Filled Nylon, for temperature ranges of -20 to 428 °F (-29 to 220 °C).
2. **CONNECTOR BODY COLOR:** White
3. **WIRE GAGE:** Accepts stranded or solid wire up to 20 AWG
4. **WIRE TERMINATION:** Combination Phillips/Slot Screws
5. **CONNECTOR ENDS:** Copper



ORDERING INFORMATION

MODEL NO.	DESCRIPTION	TERMINATION	PART NUMBER
TMPCN	RTD Miniature Connector	Male	TMPCNM09
		Female	TMPCNM10



Do not dispose of unit in trash - Recycle