

LNP-0800G-M12-67-24 Series

8-Port Industrial M12 IP67 Waterproof Gigabit PoE+ Ethernet Switch, w/8*10/100/1000Tx (30W/Port) M12 Connector (X-Coded)



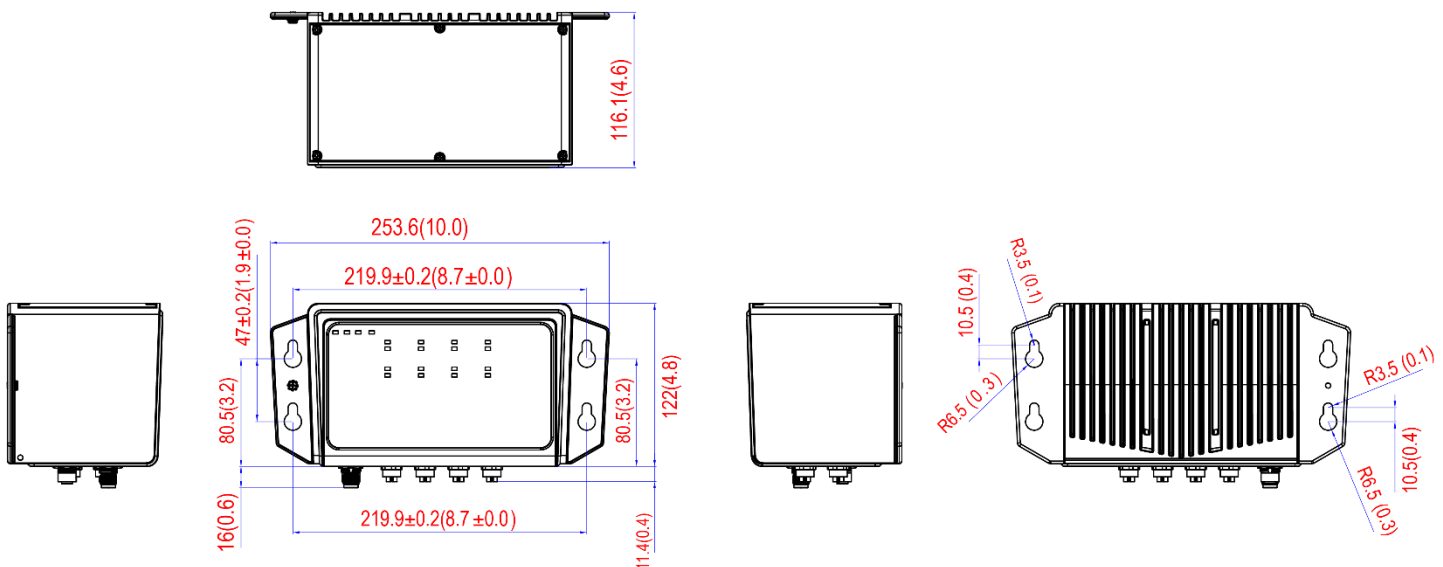
Features

- ▶ 8-Port 10/100/1000Tx Ethernet with IEEE 802.3at Compliant PoE+
- ▶ Redundant Power Inputs Design, 24~55VDC
- ▶ Built-in Power Booster Design for PoE/PoE+ Output
- ▶ Built-in Relay Output Warning for Power/PoE Failure
- ▶ Bypass Design for Daisy Chain Redundancy
- ▶ Support Digital Input/Digital Output
- ▶ IP67 Rugged Waterproof Metal Case Design
- ▶ M12 X-Coded Connector for Ensure Tight and Robust Connection
- ▶ Operating Temperature Range – STD: -10° to 60°C, EOT: -40° to 70°C
- ▶ Wall Mountable
- ▶ 5-Year Warranty

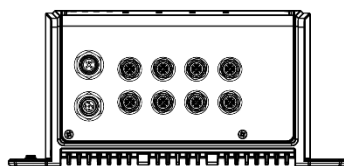
INTRODUCTION

Antaira Technologies' LNP-0800G-M12-67-24 Series is an 8-port 10/100/1000Tx M12 IP67 PoE+ industrial Ethernet switch that meets the high-reliability requirements demanded by industrial applications. Its M12 connectors ensure a tight and robust connection and it guarantees reliable operation on applications that are subject to high vibration and shock in dust, liquid or gas laden environments. Being able to operate under the standard temperature range from -10°C to 60°C or extended temperature range from -40°C to 70°C, the LNP-0800G-M12-67-24 Series can be installed in almost any harsh environment.

DIMENSIONS



Unit: mm (inch)



Authorised Distributor
ADITECH ICT PVT. LTD.

803,sigma IT park,plat no 203/204 Rabale, TTC Industrial area, Thane-Belapur road, Rabale-400701
Tel:+91 9819884527 Email: sales@aditech.in Website: www.aditech.in



SPECIFICATIONS

Technology	
Standards	IEEE 802.3 10BaseT Ethernet IEEE 802.3u 100BaseTX Fast Ethernet IEEE 802.3ab 1000BaseT IEEE 802.3af/at Power over Ethernet
Processing Type	Store and Forward
Protocol	CSMA/CD
Flow Control	IEEE 802.3x back pressure flow control
Switch Properties	
Switch Architecture	Back-Plane: Non-Blocking Switching Fabric 14,880pps for Ethernet Port 148,800pps for Fast Ethernet Port 1,488,000pps for Gigabit Ethernet Port
Transfer Rate	4Mbits
Memory Buffer	12.2Kbytes
Jumbo Frame	8K
MAC Table Size	
Interface	
Ethernet Port	8*10/100/1000BaseT(X) with 8*PoE+, 8-pin M12 X-coded female connectors, auto negotiation speed, Full/Half duplex mode, and auto MDI/MDI-X connection
DI	1*Digital Input (DI): State 0: -30~8VDC / State 1: 10~30VDC, Max. input current: 8mA
Bypass Protection	Ethernet Port 7 and Port 8
LED Indicators	Power 1, Power 2, Fault, PoE Load Ethernet Ports: On-link / Flash- data transmitting PoE: On- connected to PD devices
Mechanical Characteristics	
Housing	Metal, IP67 protection
Dimensions	253.57 x 122 x 116.12 mm (W x H x D)
Weight	Unit: 7.05 lbs. Shipping: 8.82 lbs.
Mounting	Wall mounting

Power Requirement	
Input Voltage	24~55VDC, Redundant Power Inputs
Power Connection	1*M12, 4-pin T-coded, male connector
Reverse Polarity Protection	Present
Overload Current Protection	Present
Power Consumption	8Watts for system
PoE Power Output	30W max. per PoE port
Max. PoE Power Budget	200Watts
PoE Output Priority	Port 1 to 8 (High priority to low priority)
Relay Contact	24VDC, 1A resistive, M12 5-pin A-coded female connector
Environmental Limits	
Operating Temperature	STD: -10°C ~ 60°C EOT: -40°C ~ 70°C
Storage Temperature	-40°C ~ 85°C
Ambient Relative Humidity	5% to 95%, (non-condensing)
Regulatory Approvals	
EMI	FCC Part 15 Subpart B Class A, CE EN 55032 Class A, EN 61000-6-4 Class A CE EN 55024 Class A EN 61000-6-2 Class A IEC61000-4-2 (ESD) IEC61000-4-3 (RS) IEC61000-4-4 (EFT) IEC61000-4-5 (Surge) IEC61000-4-6 (CS) IEC61000-4-8 (Magnetic Field)
EMS	
Free Fall	IEC60068-2-32
Shock	IEC60068-2-27
Vibration	IEC60068-2-6
Green	RoHS Compliant
Certifications	FCC, CE, UL 61010-1, UL 61010-2-201
Warranty	5 Years

ORDERING INFO

LNP-0800G-M12-67-24 8-Port Industrial M12 IP67 Waterproof Gigabit PoE+ Ethernet Switch, w/8*10/100/1000Tx with M12-connector, PoE Injector (30W/Port), 24-55VDC; STD: -10°~60°C

LNP-0800G-M12-67-24-T 8-Port Industrial M12 IP67 Waterproof Gigabit PoE+ Ethernet Switch, w/8*10/100/1000Tx with M12-connector, PoE Injector (30W/Port), 24-55VDC; EOT: -40°~70°C

Optional Accessories

DR-75-12	75 Watts Series / 12 VDC / 6.3 Amps Industrial Single Output DIN Rail Power Supply
DR-75-24	75 Watts Series / 24 VDC / 3.2 Amps Industrial Single Output DIN Rail Power Supply
DR-120-12	120 Watts Series / 12 VDC / 10.0 Amps Industrial Single Output DIN Rail Power Supply
DR-120-24	120 Watts Series / 24 VDC / 5.0 Amps Industrial Single Output DIN Rail Power Supply
CB-M12T4PF-1M	M12 T-Code 4-Pin Female to Open Wire, 1 Meter, Wire: 16AWG, Power Cable
CB-M12A5PM-1M	M12 A-Code 5-Pin Male to Open Wire, 1 Meter, Wire: 22AWG, I/O Data Cable
CB-M12X8PM-10CM	M12 X-Code 8-Pin Male to RJ45 Socket, 10 CM, Testing Cable

Authorised Distributor

ADITECH ICT PVT. LTD.

803,sigma IT park,
plat no 203/204 Rabale, TTC Industrial area, Thane-Belapur road, Rabale-400701
Tel:+91 9819884527 Email: sales@aditech.in Website: www.aditech.in

