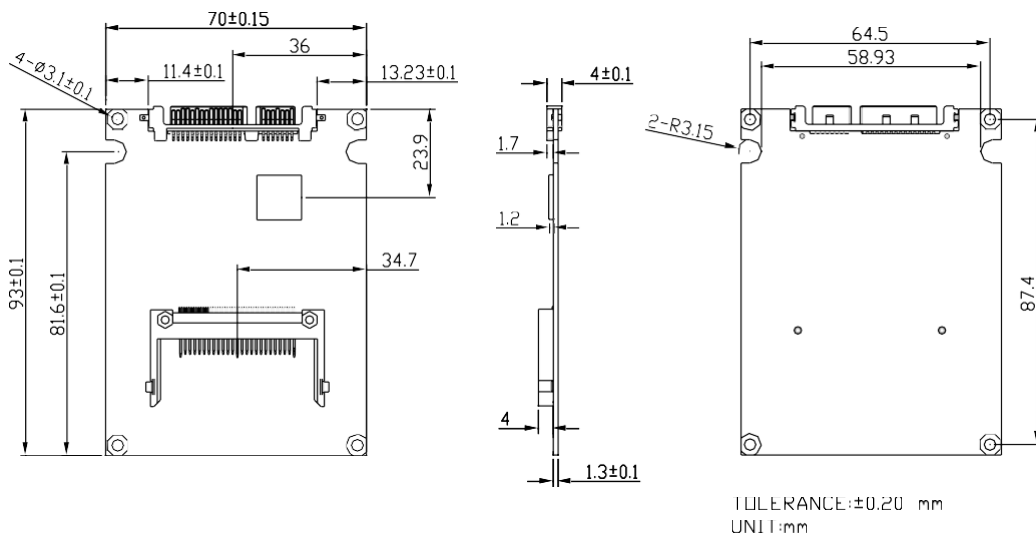


Features

- Compliance with Gen1i/Gen1m of Serial ATA II Electrical Specification 2.6
- Support ATA/ATAPI-7 specification
- ATA/ATAPI PIO Mode 0, 1, 2, 3, 4
- ATA/ATAPI Multi-Word DMA Mode 0, 1, 2
- ATA/ATAPI Ultra DMA Mode 0, 1, 2, 3, 4, 5, 6, 7
- Industrial design, manufacture in innodisk Taiwan

Mechanical Drawing



Specifications

Form-Factor	2.5" SSD
Input I/F	SATA II
Output I/F	PATA
Output Connector	CF Card x 1
TDP	TBD
Dimension (WxLxH)	70.1 x 93.8 x 5.4 mm, Weight: 20g
Temperature	Operation: STD: 0°C ~ +70°C Storage: -55°C ~ +95°C
Environment	Vibration: 5G @7~2000Hz, Shock: 50G @ 0.5ms
Notes	

Order information

E2S4-2101-C1
 CF to SATA Module

Distributor

ADITECH ICT PVT LTD

803, Sigma IT Park, Plot No R203/204, TTC Industrial Area, Thane Belapur Road, Rabale, Navi Mumbai-400701
 Call / WhatsApp : +91 9819884527 | Email : sales@aditech.in | Website : www.aditech.in