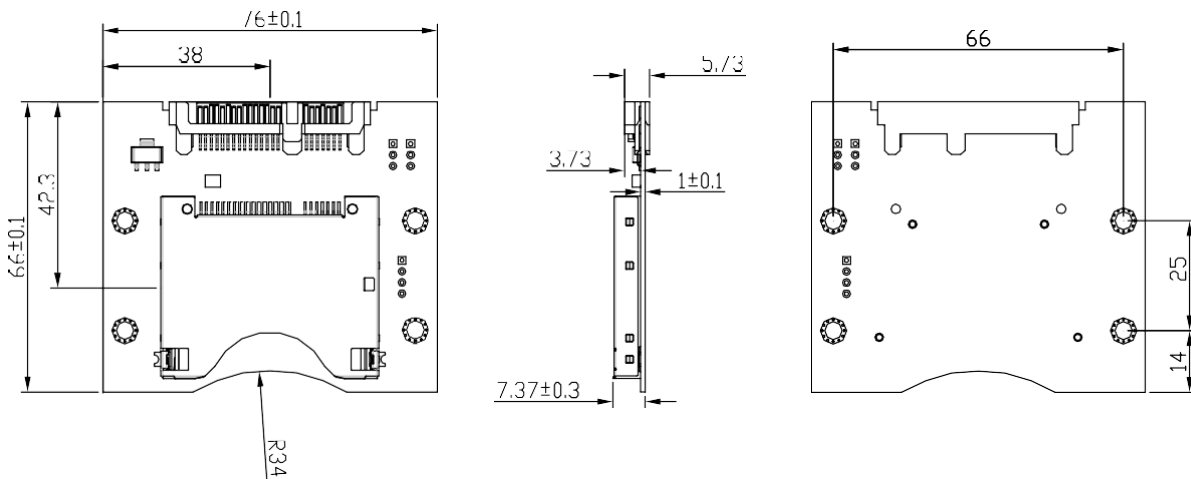


Features

- SATA III compliant
- SATA to CFast pass-through design
- Industrial temperature -40 °C to 85 °C
- 3-year warranty
- Industrial design, manufactured in innodisk Taiwan

Mechanical Drawing



TOLERANCE ±0.20mm

Specifications

Form-Factor	Other
Input I/F	SATA III
Output I/F	SATA III
Output Connector	CFast x 1
Dimension (WxLxH)	76 x 66 x 7.37 mm
Temperature	Operation: WT: -40°C ~ +85°C Storage: -55°C ~ +95°C
Environment	Vibration: 5G @7~2000Hz, Shock: 50G @ 0.5ms
Notes	

Order information

EZSS-0101-C1
CFast to SATA III Module

Distributor

ADITECH ICT PVT LTD

803, Sigma IT Park, Plot No R203/204, TTC Industrial Area, Thane Belapur Road, Rabale, Navi Mumbai-400701
Call / WhatsApp : +91 9819884527 | Email : sales@aditech.in | Website : www.aditech.in