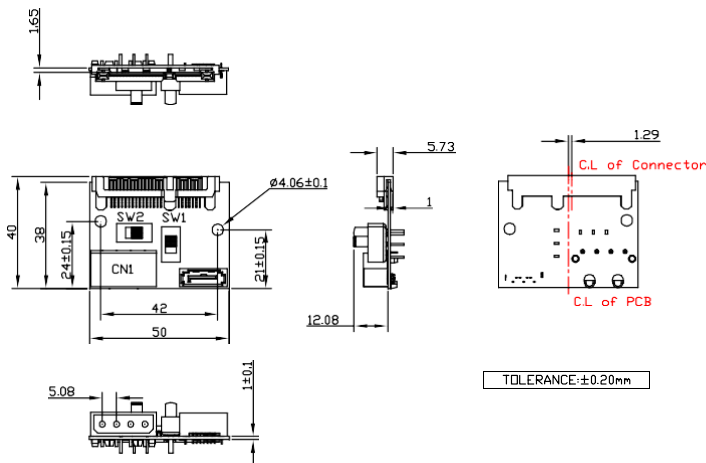


Features

- SATA III compliant
- SATA to SATADOM pass-through design
- Support power supply method of SATA Pin7 & Pin8
- Industrial temperature -40 °C to 85 °C
- 3-year warranty
- Industrial design, manufactured in innodisk Taiwan

Mechanical Drawing



Power supply method

	SW2	SW1	Power cable	
Standard	Left	Down	Plug in	
Pin7	Left	Up	X	
Pin8	Right	Down	X	

Specifications

Form-Factor	Other
Input I/F	SATA III
Output I/F	SATA III
Output Connector	SATA 7pin x 1
Dimension (WxLxH)	50 x 40 x 13.08mm
Temperature	Operation: WT: -40°C ~ +85°C Storage: -55°C ~ +95°C
Environment	Vibration: 5G @7~2000Hz, Shock: 50G @ 0.5ms
Notes	

Order information

EZSS-0102-C1
SATADOM to SATA Module

Distributor

ADITECH ICT PVT LTD

803, Sigma IT Park, Plot No R203/204, TTC Industrial Area, Thane Belapur Road, Rabale, Navi Mumbai-400701
Call / WhatsApp : +91 9819884527 | Email : sales@aditech.in | Website : www.aditech.in