

FSP500-60MRB(S)



FEATURES

- Certified CB 62368-1 & CB 60950-1
- Meet 80 Plus Gold
- PMBus V1.2
- Design for 5,000 Meter above sea level
- High Reliability
- Low Ripple & Noise
- Over Current Protection
- Over Temperature Protection
- Over Voltage Protection

SAFETY STANDARD APPROVAL



DESCRIPTION

FSP500-60MRB(S) is an unique Mini-redundant power supply. It comes to offer the same form factor from 350W to 600W, and the total power capacity up to 500 Watts, plus hot swap features, which makes it to be perfectly fit in a standard 2U server chassis, and used in an industrial or home office environment. In addition, the power supply is ideally the best choice for server, workstation, communication or any other automation applications. This product also complies with the latest safety and EMC standards, which is perfectly to meet various regulations worldwide.

GENERAL SPECIFICATIONS

Dimension (L x W x H):	190 x 150 x 84 (mm) 7.49 x 5.91 x 3.3 (inch)	Environment	Working temperature: 0°C to 50°C Storage temperature: -20°C to + 80°C Working humidity: 90% RH non-condensing Storage humidity: 90% RH non-condensing
Efficiency:	80 Plus Gold	MTBF:	100,000 hours of continuous operation at 25°C, Max,-output load
Hold-up time:	115V / 60Hz: ≥ 16ms 230V / 50Hz: ≥ 16ms	Applications:	Workstation ,Storage System ,IPC Controller
Operating altitude:	5,000 meters above sea level		

INPUT SPECIFICATIONS

Input voltage:	90-264Vac
Input frequency:	47-63Hz
Input current:	115Vac @ 6A, 230Vac @ 3A

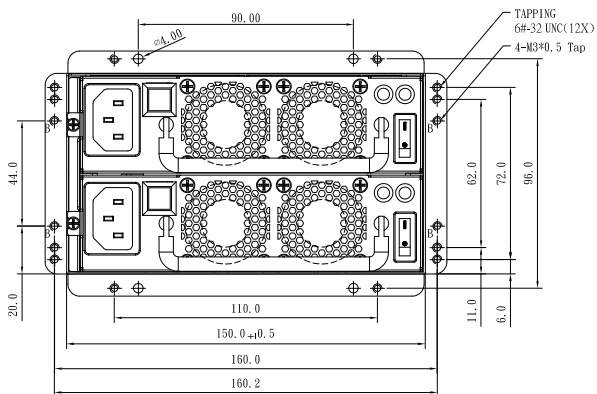
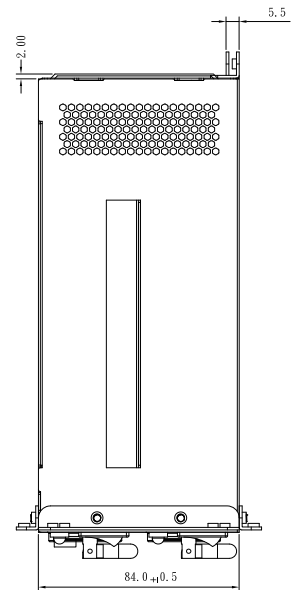
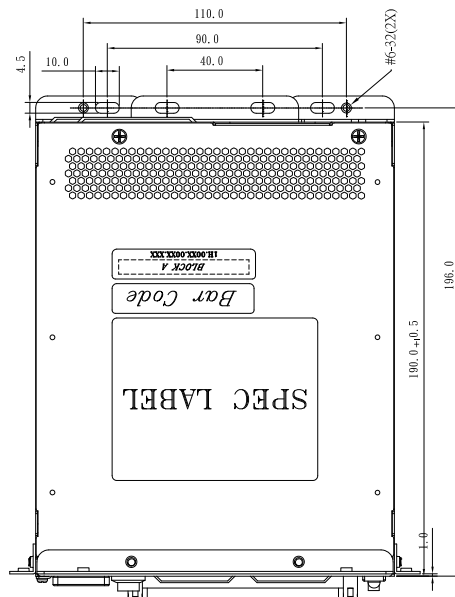
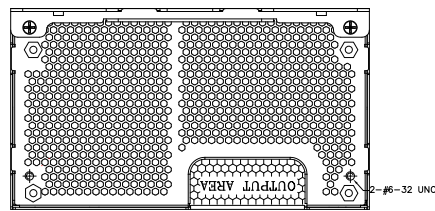
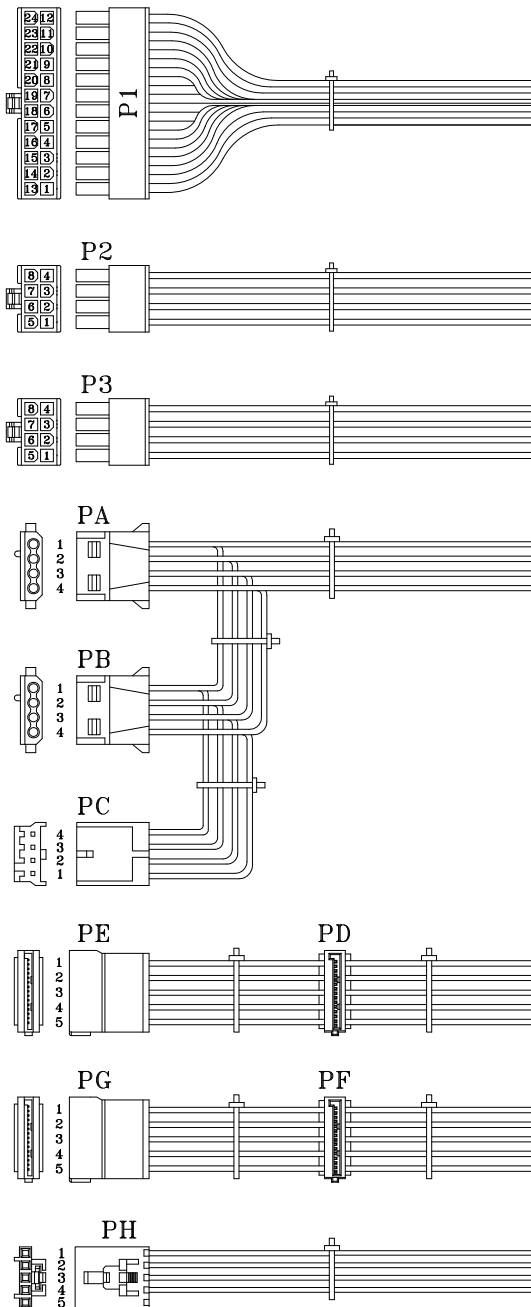
OUTPUT RATING

Outputs	+3.3V	+5V	+12V	-12V	+5Vsb	-5V
Max.	20.0A	20.0A	40.0A	0.5A	3.0A	0.3A
Min.	0.0A	0.0A	1.0A	0.0A	0.0A	0.0A
Regulation	±5%	±5%	±5%	±10%	±5%	±5%
Ripple/Noise	50 mV	50 mV	120 mV	200 mV	50 mV	200 mV

The +3.3V and +5V total output shall not exceed 130W
-5V (Optional)

MECHANICAL SPECIFICATIONS

UNIT: mm



Authorised Distributor
ADITECH ICT PVT LTD

803, Sigma IT Park, Plot No R203/204, TTC Industrial Area, Thane Belapur Road, Rabale, Navi Mumbai-400701
 Call / WhatsApp : +91 9819884527 | Email : sales@aditech.in | Website : www.aditech.in