

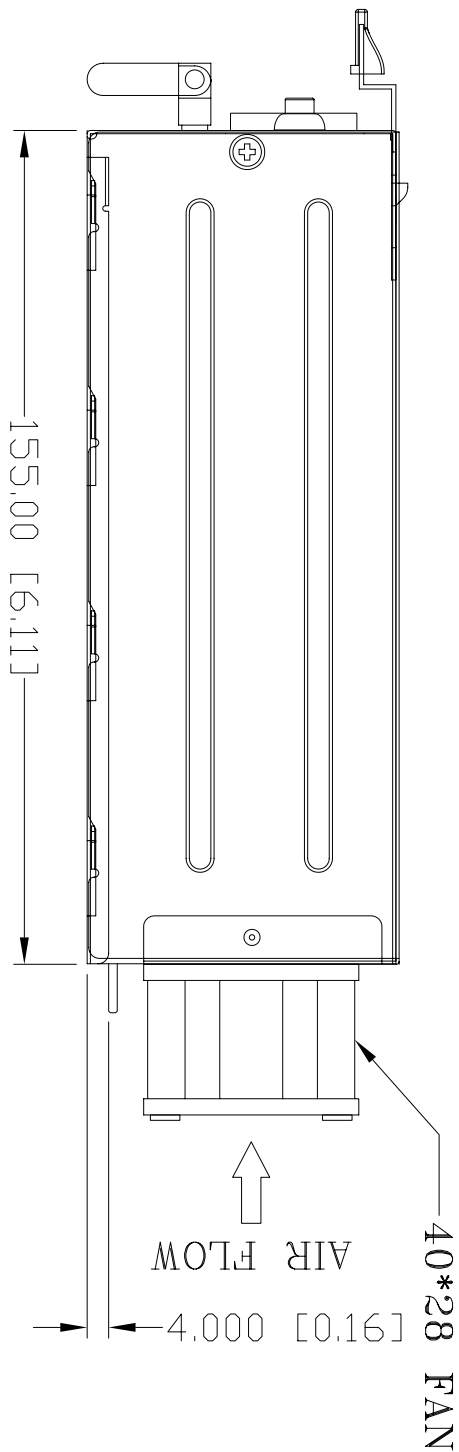
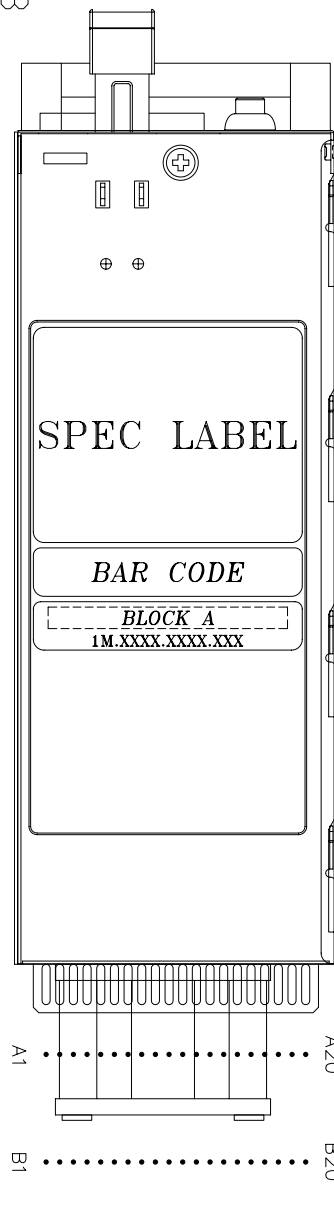
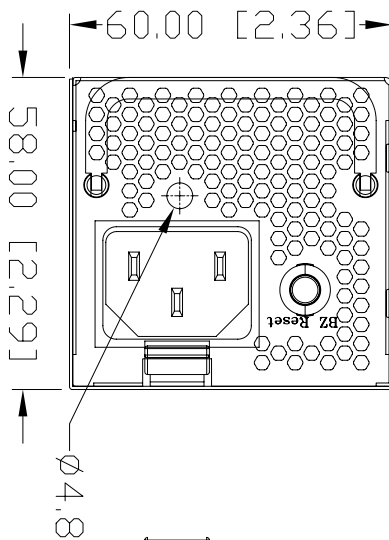
# 外觀圖



OAD-00002726

FSP720-

20RGGBE1(A)(STD0001)



NOTE:

- 公差: .XX=±0.5 [0.02]、.XXX=±0.25 [0.01]

UNIT:mm

P/N.:9PA7200500

MODEL NO. : FSP720-20RAB(STD0001)	PE	TITLE: ASSY	SHEET: 1 OF 1	REV:01
R&D(2)		DRAWN	DATE	
INTERIOR COUNTERSIGN:		樂家龍	Aug.30.2018	