

ALAD-A1910T/T(P)

19.0" TFT LCD Capacitive/Resistive Touch, Intel® Elkhart lake Soc CPU, 4*COM, 2*LAN, 4*USB3.1, 1*USB2.0, 1* Line out, 1*2.5 " SATA bay, 1*mSATA, DC 9~36V

JHCTECH IoT Computer Connecting the Dots

Industrial Panel Computer
ALAD Series



Key Features

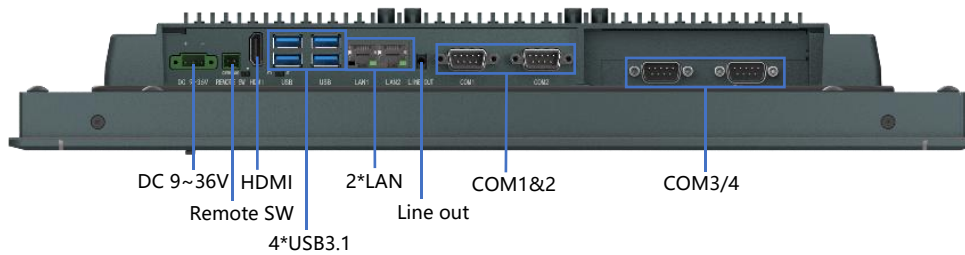
- Aluminum die-casting chassis
- 19.0" TFT LCD, Multi-point capacitive/5 wire resistive touch
- Intel® Elkhart lake Soc CPU, fanless design
- 1*DDR4 3200 SODIMM, up to 32GB
- 1*Mini PCIe, 1*M.2 B-Key Type 3042/3052
- 4*COM, 2*LAN, 4*USB3.1, 1*USB2.0, 1*8-bit DIO (opt.)
- 2.5" SATA Bay, 1*mSATA, 1*Line out, 2*3W Speaker
- DC 9~36V power input
- Standard VESA mount and panel mounting



Description

The ALAD-A1910T/T(P) is a tablet powered by Intel® Elkhart lake Soc CPU family processors. It adopts 19.0 " 1280*1024 resolution TFT LCD and fully fits surface projection multi-point capacitive/5 wire resistive touch screen. The product has comprehensive I/O interface, supporting 1*2.5 "SATA disk and 1*mSATA dual storage; Built-in 1*Mini PCIe and 1*M.2 3042/3052 expansions, wide voltage DC power supply 9-36V, aluminum die-cast body without fan heat dissipation, various installation modes, suitable for intelligent MES system and device management HMI.

I/O View

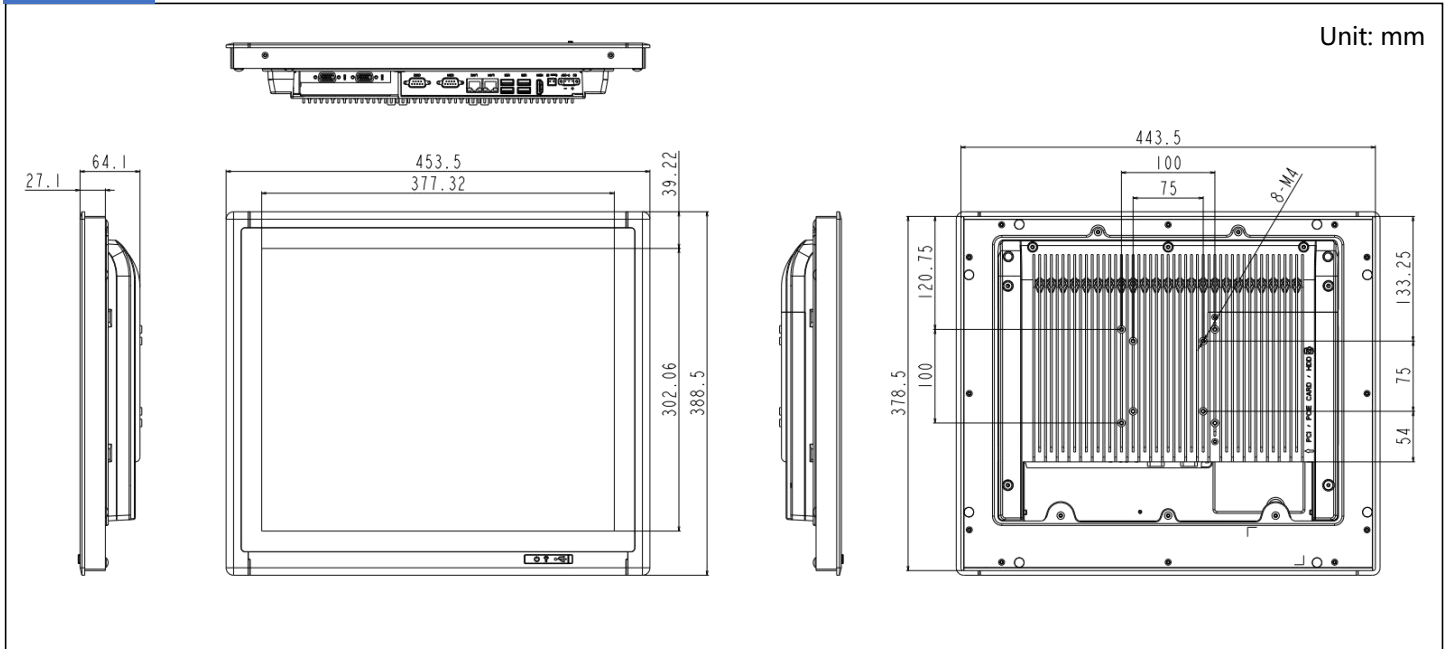


SPEC.

System	CPU	Intel® Elkhart lake SoC CPU: Celeron J6412 2.0-2.6GHz 4-core 4-thread or Celeron N6210 1.2-2.6GHz dual-core dual-thread
	Chipset	Intel® CPU SoC MCP
	System memory	1*DDR4 3200 MHz SODIMM, up to 32GB
	BIOS	AMI EFI BIOS, 128Mbit SPI flash memory
	Storage	1*2.5" SATA HDD bay, support SATA3.0 6Gbps HDD/SSD; 1*mSATA
	Display	19.0 "1280*1024@60Hz TFT LCD, 1*HDMI for extended display Intel UHD Graphics or iRIS® X® Graphics, Supports Intel DL boost deep learning to strengthen technology, DirectX12.1, OpenGL 4.6 and OpenCL 3.0, HDMI Max resolution 4096*2304@60Hz
	Expansion	1*Mini PCIe (PCIe&USB signal), supports a functional module with PCIe or USB signals 1*M.2 B-Key Type 3042/3052 with SIM card slot, supports 4G LTE/5G NR
	Audio	Realtek ALC897 controller, support 5.1 channel, 2*3W Speaker
	Real I/O	4*COM: 2*RS232/422/485, 2*RS232, DB9; 1*HDMI; 1*Line out; 4*USB3.1 Type A; 2*RJ45; 1*3 pin DC-IN terminal pin; 1*Remote SW
	Front I/O	1*USB2.0
	LAN	2*Intel I226V PCIe Gig. Ethernet, 10/100/1000Mbps, support WOL
	Control SW/LED	Power LED, 1*CMOS, 1*AT/ATX, 2-pin terminal remote switch
	Power Supply	DC to DC: 9~36V input, consumption: 26.4W (Celeron J6412 , 8G DDR4, 128G SSD)
	OS	Windows 11*IoT enterprise, Windows 10*IoT enterprise, Android, SUSE, Ubuntu, Wind River, Red Hat*Enterprise, Wind River VxWorks*7, Yocto
Construction	Aluminum die-casting front bezel , fin-shaped radiator shell	
Mechanical & Environmental	Operating Temperature	0~50°C -HDD(-10~55°C -SSD), with airflow
	Storage Temperature	-20~60°C
	Storage Humidity	10~95%@40 , non-condensing
	Shock	10G peak acceleration(duration 11ms), in operating with HDD
	Vibration	1G 5~500Hz, in operating with HDD

Mechanical & Environmental	Mounting	Panel mounting (Cut out: 445.0*380.0mm), VESA 75*75mm and 100*100mm	
	Dimension	(W*H*D): 453.5*388.5*64.1mm	
	Net Weight	6.9KG	
	EMC	CE,FCC Class A	
LCD	Type	19.0" TFT LED backlight	
	Resolution	1280*1024@60Hz	
	Color	16.7M	
	Pixel Pitch(mm)	0.294*0.294(mm)	
	Brightness(cd/m2)	470	
	Viewing Angle	85°(left), 85°(right), 85°(up),85°(down)	
	Operating Temperature	-15~65°C	
	Backlight Lifetime	50000 Hours	
Touch	Type	5 wire resistive touch	Projected capacitive touch
	Resolution	gapless	gapless
	Light Transmittance	83%	90%
	Interface	USB	USB
	Consumption	+5V @200mA	+5V @300mA
	OS	Windows/Linux	Windows/Linux
	Click Lifetime	35 billion times	3 billion times

Dimension



Ordering Info

Model NO.	CPU	Resistive Touch Screen(T)	Capacitive Touch Screen(TP)	Description
ALAD-A1910/S001	Celeron J6412	5 wire resistive touch	Projected capacitive touch	Industrial panel computer, 19.0" TFT LCD, 4*COM, 4*USB3.1, 1*USB2.0, 2*LAN, 1*HDMI,1*Mini PCIe, 1*M.2 B-Key , 1*Line out, 1*2.5" SATA Bay, 1*mSATA, 2*3W Speaker, DC 9~36V
ALAD-A1910/S002	Celeron N6210			
PA-60DC12	AC/DC power adapter, DC12V@5A ,60W			