



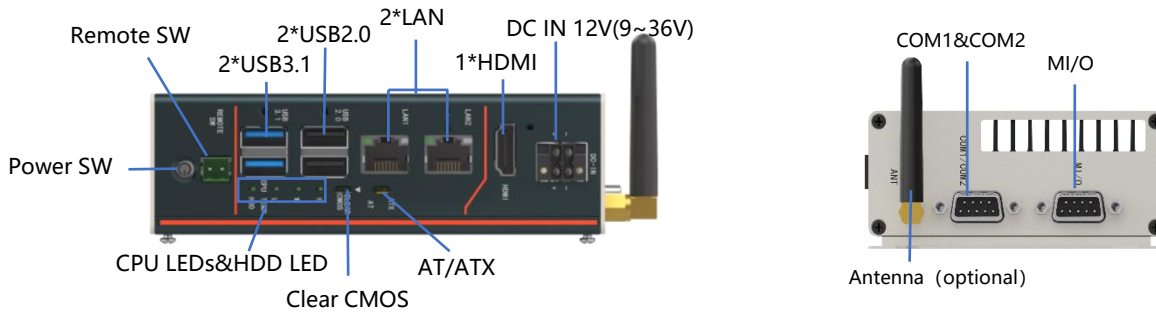
## Key Features

- Intel® Elkhart lake SoC CPU
- 1\*DDR4 3200 SODIMM, Up to 32GB
- 1\*HDMI display, 4K UHD
- 2\*USB3.1, 2\*USB2.0, 2\*COM, 1\*MI/O
- 1\*Mini PCIe Full Size(PcieX1+USB2.0)w/ SIM
- 1\*mSATA Full Size 6.0Gbps for storage
- Multi mounting, wall mounting, optional DIN-rail Rail mounting and desktop mounting
- Mini size and Lightweight, fanless cooling design
- DC 12V power input, optional 9~36V wide power input, support OVP,OCP and SCP

## Description

KGEC-6200 is a brand new edge controller, powered by Elkhart lake SoC series Processor, 1\*DDR4 3200 SODIMM, maximum 32GB, Multi IO interfaces, two power supply designs. The mini size is suitable for installation in limited space. It is very suitable for AGV and AMR, machine vision, industrial control and other fields.

## I/O View



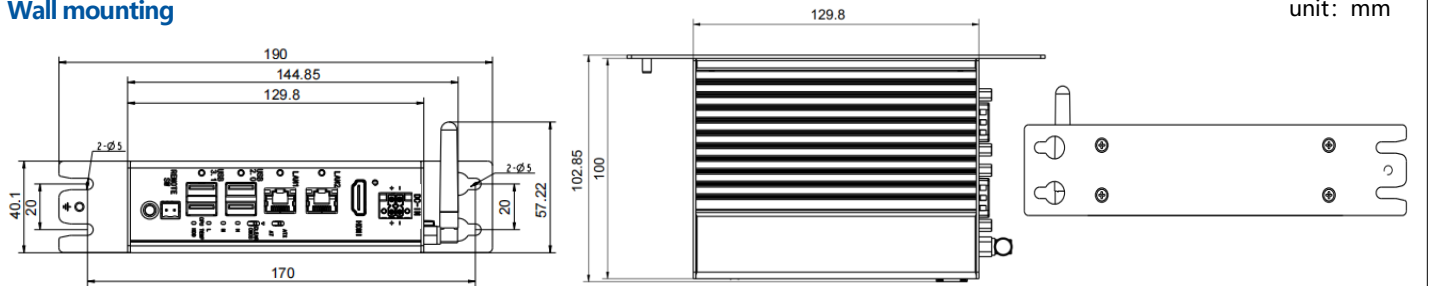
## SPEC.

CPU+PCH	Intel® Elkhart lake SoC CPU: Celeron J6412 2.0-2.6GHz 4Cores and 4Threads or Celeron N6210 1.2-2.6GHz 2Cores and 2Threads
System Memory	1 *260pin DDR4 SODIMM, supporting up to 3200MHz and a maximum of 32GB
Expansion	1* Full-size Mini PCIe(Pcie X1+USB2.0 signal), with SIM card slot, support 4G LTE or Wifi+BT WLAN, or CAN bus module
Intel Graphics	Intel Gen10 UHD Graphics, HW Encode: H.265/HEVC, H.264/MPEG-4 AVC, MPEG-2, JPEG/MJPEG ,VP8; HW Decode: H.265/HEVC, H.264/MPEG-4 AVC, MPEG-2, VC-1/WMV9, JPEG/MJPEG, VP8, VP9 HDMI2.0 up to 4096*2304@60Hz, 4K UHD
LAN	2*Intel I226V PCIe Gig. Ethernet, 10/100/1000Mbps, support WOL
Storage	1*mSATA Full Size, 6.0Gbps, supports AHCI
Rear I/O	1*HDMI; 2*Gig-LAN(RJ45); 2*USB3.1(Type A), 2*USB2.0(Type A); 1*RS232/422/485(BIOS via) + 1*RS232, and RS232 with 3-wires signal design in 1*DB9 male; 1*MI/O: 8bit DIO (default), optional Mini PCIe module with 2*CAN2.0, design in 1*DB9 male
LED	1*power LED; 1*HDD LED; 3*CPU Temp.LED (Red is warning, Yellow is high, Green is normal)
Control SW	1*power SW, 1*AT/ATX SW, 1*Clear CMOS SW
Power Supply	DC 12V input, 2*2-pin terminal block connector, OFX-075 75W power module is optional, supporting a wide power input of 9 ~ 36V, support OVP,OCP and SCP TDP: 15.6W (Celeron J6412, 32G DDR4, 128G mSATA)
Watchdog Timer	Programmable timeout interrupt or system reset, 1 to 255 seconds
OS Support	RTOS: Intime, EC-Win, RTX-2014/2016 and Ubuntu Preempt-RT Windows 11, Windows 10, SUSE, Ubuntu, Wind River, Red Hat Enterprise
Structure	Aluminium-magnesium alloy chassis and fanless cooling design, SGCC frame
Color	Silk grey+Graphite black
Mounting	Desktop mounting, optional DIN-rail Rail mounting and wall mounting

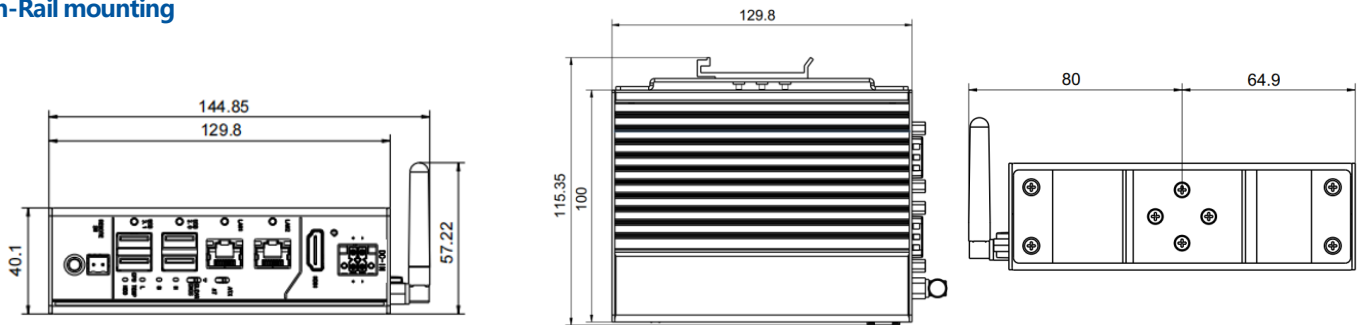
Dimension	(W*H*D)130*100*40mm(Not install mounting kits)
Net weight	750g
Operating temperature	-20°C~60°C(Including air flow,wide operating temp. SSD)
Storage Temperature	-40°C~85°C
Storage Humidity	10~95%@40°C, Non-condensing
Vibration	5grms/5~500Hz/random/in working(SSD)
Shock	50g peak acceleration(11ms duration)(SSD)
Certification/EMC	CE/FCC Class A

## Dimension

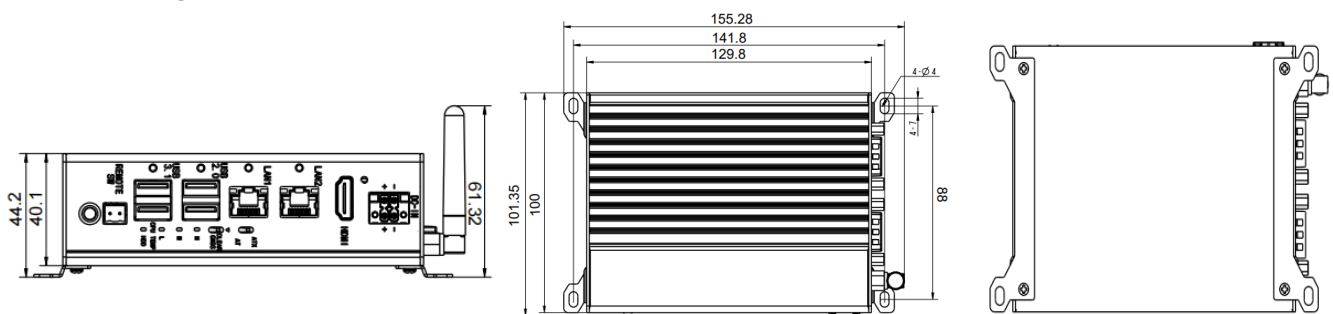
### Wall mounting



### Din-Rail mounting



### desktop mounting



## Ordering Info

Model No.	CPU	Introduction
KGEC-6200/S001	Celeron J6412	1*DDR4, 1*HDMI, 2*LAN, 2*USB3.1, 2*USB2.0, 1*RS232/422/485,1*RS232, 1*Mini PCIe Full Size, 1*mSATA Full Size, 1*MI/O (Default: 8-bit DIO), DC 12V, Desktop mounting kits
KGEC-6200/S002	Celeron N6210	
KGEC-6200/S001/WP	Celeron J6412	1*DDR4, 1*HDMI, 2*LAN, 2*USB3.1, 2*USB2.0, 1*RS232/422/485,1*RS232, 1*Mini PCIe Full Size, 1*mSATA Full Size, 1*MI/O (Default: 8-bit DIO), DC 9~36V, Desktop mounting kits
KGEC-6200/S002/WP	Celeron N6210	
PA-60DC12	AC/DC adapter, DC12V/5A 60W+X standard power cabel	
Din-Rail mounting (optional)	Stainless steel bracket for 6200 main box +1 Din-Rail fastener	
wall mounting kit (optional)	Wall mounting bracket	