



# TAP100

## WI-FI ACCESS POINT



Enterprise



Retail



Smart city

### POE-IN

Can be powered by PoE devices via RJ45 port

### SLEEK DESIGN

UV-stabilized plastic housing that blends in with its environment

### EASY INSTALLATION

Integrated mounting bracket for easy ceiling setup

### RMS MANAGEMENT

Free access to RMS Management for 24 months

## Wireless

Wireless mode	802.11b/g/n (Wi-Fi 4)
Wi-Fi security	WPA2-Enterprise: PEAP, WPA2-PSK, WPA-EAP, WPA-PSK, WPA3-SAE, WPA3-EAP, OWE; AES-CCMP, TKIP, Auto-cipher modes, client separation, EAP-TLS with PKCS#12 certificates, disable auto-reconnect, 802.11w Protected Management Frames (PMF)
SSID/ESSID	SSID stealth mode and access control based on MAC address
Wi-Fi users	Up to 100 simultaneous connections
Wireless Connectivity Features	Wireless mesh (802.11s), fast roaming (802.11r), BSS transition management (802.11v), radio resource measurement (802.11k)
Wireless MAC filter	Allowlist, blocklist
Wireless QR code generator	Once scanned, a user will automatically enter your network without needing to input login information
TravelMate	Forward Wi-Fi hotspot landing page to a subsequent connected device

## Ethernet

Ethernet	1 x RJ45 port 10/100 Mbps, compliance with IEEE 802.3, IEEE 802.3u, 802.3az standards, supports auto MDI/MDIX crossover
----------	---

## Network

Network protocols	TCP, UDP, IPv4, IPv6, ICMP, HTTP, HTTPS, SSL v3, TLS, ARP, SSH
DNS over HTTPS	DNS over HTTPS proxy enables secure DNS resolution by routing DNS queries over HTTPS
Hotspot 2.0	Hotspot 2.0 is a Wi-Fi standard that enables seamless, secure, and automatic connection to trusted wireless networks
Traffic Management	Real-time monitoring, wireless signal charts, traffic usage history

## Security

Authentication	SSH key based, HTTPS, CLI, IP & Login attempts block, time-based login blocking, built-in random password generator
VLAN	Tag-based VLAN separation
Certificate Manager	Certificate creation tool allows to create CA, server, client, let's encrypt, SCEP certificates
802.1x	Port-based network access control client

## Data to Server

Protocol	HTTP(S), MQTT, Azure MQTT
Data to server	Extract parameters from multiple sources and different protocols, and send them all to a single server; Custom LUA scripting, allowing scripts to utilize the router's Data to server feature

## API

Teltonika Networks Web API (beta) support	Expand your device's possibilities by using a set of configurable API endpoints to retrieve or change data. For more information, please refer to this documentation: <a href="https://developers.teltonika-networks.com">https://developers.teltonika-networks.com</a>
---	---

## Monitoring & Management

WEB UI	HTTP/HTTPS, status, configuration, FW update, CLI, troubleshoot, multiple event log servers, firmware update availability notifications, event log, system log, kernel log
FOTA	Firmware update from server, automatic notification
SSH	SSH (v1, v2)
Email	Receive email message status alerts of various services
JSON-RPC	Management API over HTTP/HTTPS
RMS	Teltonika Remote Management System (RMS)

## System Characteristics

CPU	Mediatek, 580 MHz, MIPS 24KEc
RAM	64 MB, DDR2
FLASH storage	16 MB, SPI Flash

## Firmware/Configuration

WEB UI	Update FW from file, check FW on server, configuration profiles, configuration backup
FOTA	Update FW
RMS	Update FW/configuration for multiple devices at once
Keep settings	Update FW without losing current configuration
Factory settings reset	A full factory reset restores all system settings, including the IP address, PIN, and user data to the default manufacturer's configuration

## FIRMWARE CUSTOMISATION

Operating system	RutOS (OpenWrt based Linux OS)
Supported languages	Busybox shell, Lua, C, C++
Development tools	SDK package with build environment provided
GPL customization	You can create your own custom, branded firmware and web page application by changing colours, logos, and other elements in our firmware to fit your or your clients' needs
Package Manager	The Package Manager is a service used to install additional software on the device

## Power

Connector	RJ45 Socket
Input voltage range	44.0 – 57.0 V
PoE standards	802.3af PoE Class 1
Power consumption	< 2 W Max

### Physical Interfaces

Ethernet	1 x RJ45 ports, 10/100 Mbps
Status LEDs	1 x Power LED (can be turned off from web-UI)
Antennas	2 x Internal for 2.4 GHz Wi-Fi
Antennas specifications	2 x 2400 - 2500 MHz, 50 Ω, VSWR <2.7, gain < 4.9 dBi, omnidirectional
Reset	Reboot/User default reset/Factory reset button

### Physical Specification

Casing material	UV stabilized plastic
Dimensions (W x H x D)	Ø 158 mm x 30 mm
Weight	190 g
Mounting options	AP mounting bracket (for ceiling mount)

### Operating Environment

Operating temperature	-40 °C to 75 °C
Operating humidity	10% to 90% non-condensing
Ingress Protection Rating	IP30

### Regulatory & Type Approvals

Regulatory	CE, UKCA, EAC, ANRT, Kenya, SDPPI (POSTEL), CB, FCC, IC, RoHS, REACH, WEEE
------------	--

### EMC Emissions & Immunity

Standards	EN 55032:2015 + A11:2020 EN 55035:2017 + A11:2020 EN 61000-3-3:2013 + A1:2019 + A2:2021 EN IEC 61000-3-2:2019 + A1:2021 EN 301 489-1 V2.2.3 EN 301 489-17 V3.2.4
ESD	EN 61000-4-2:2009
Radiated Immunity	EN IEC 61000-4-3:2020
EFT	EN 61000-4-4:2012
Surge Immunity (AC Mains Power Port)	EN 61000-4-5:2014 + A1:2017
CS	EN 61000-4-6:2014
DIP	EN IEC 61000-4-11:2020

### RF

Standards	EN 300 328 V2.2.2
-----------	-------------------

**Safety**

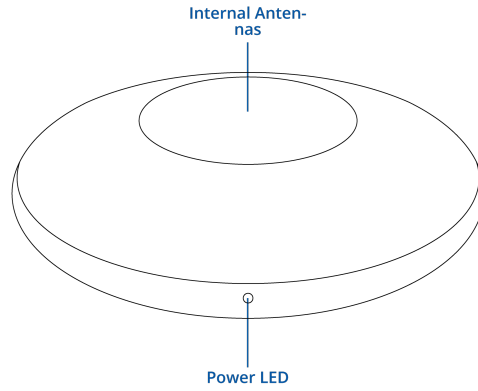
---

## Standards

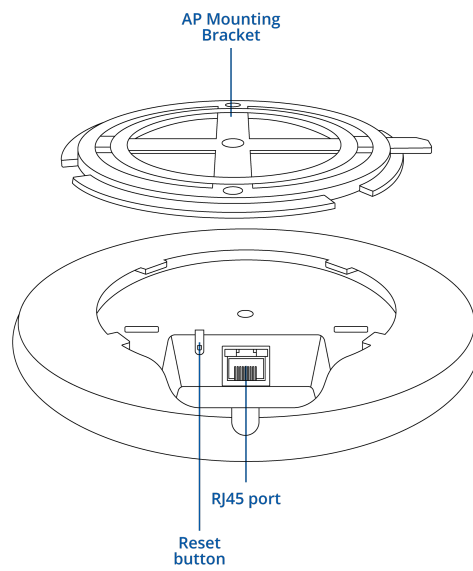
**CE:** EN IEC 62368-1:2020 + A11:2020, EN IEC 62311:2020**RCM:** AS/NZS 62368.1:2022**CB:** IEC 62368-1:2018

## Hardware

### FRONT VIEW



### BOTTOM VIEW

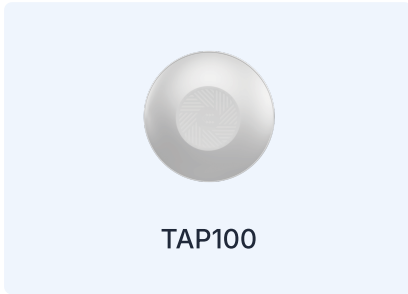


### RJ45 LED MEANING



## Ordering

Standard package\*



\*Standard package contents may differ based on standard order codes.

For more information on all available packaging options – please [contact us](#) directly.

## Classification codes

**HS Code:** 851762

**HTS:** 8517.62.00

### Available versions

---

TAP100 *****	N/A	TAP100001000 / Standard package TAP100000000 / Standard package with EU PoE injector TAP100000200 / Standard package with UK PoE injector TAP100000300 / Standard package with US PoE injector
--------------	-----	--

## TAP100 spatial measurements

### Available versions

---

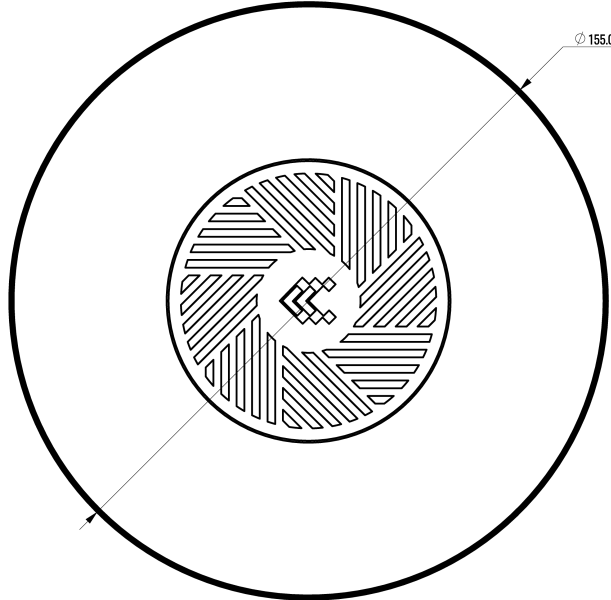
Device housing:            Ø 158 mm x 30 mm

Box:                         355 x 175 x 60 mm

---

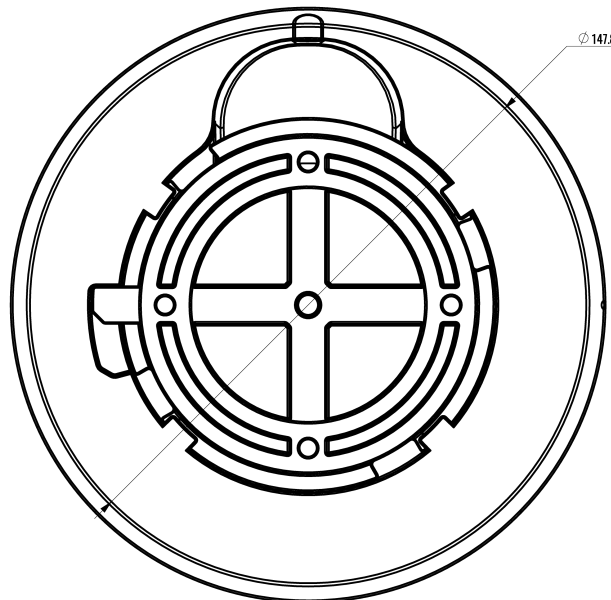
**TOP VIEW**

The figure below depicts the measurements of device and its components as seen from the top:



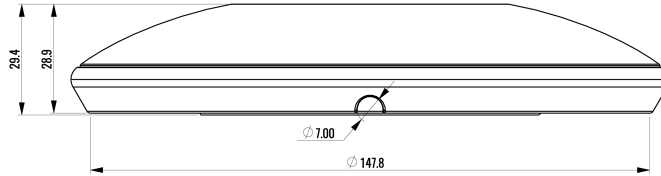
**BOTTOM VIEW**

The figure below depicts the measurements of device and its components as seen from the bottom side:



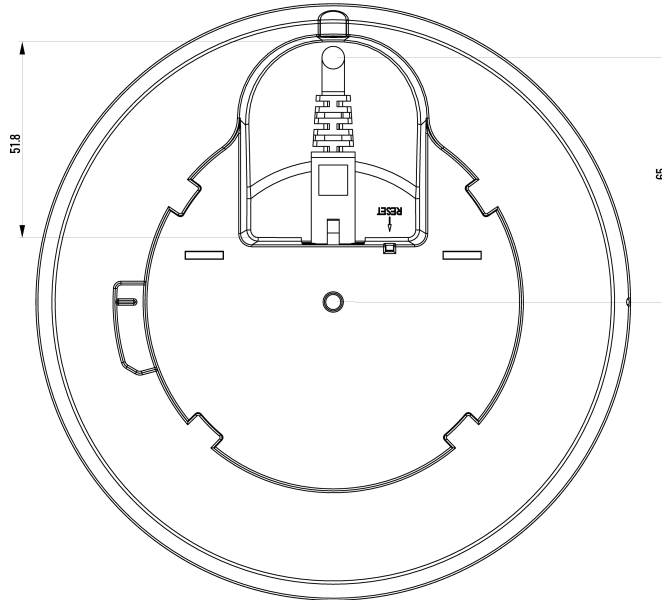
### SIDE VIEW

The figure below depicts the measurements of device and its components as seen from the side:



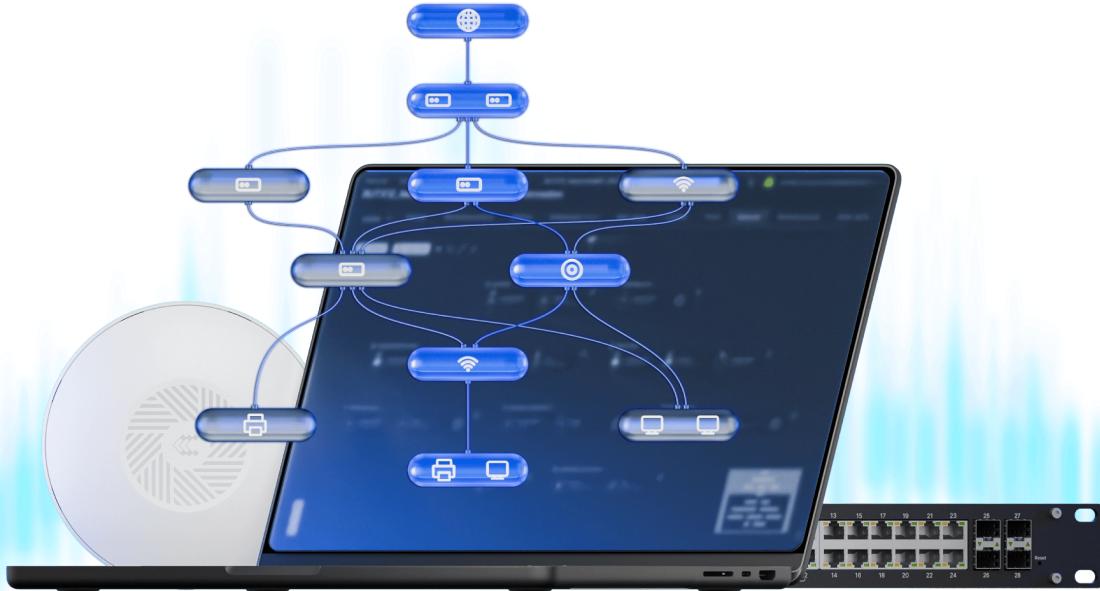
### MOUNTING SPACE REQUIREMENTS

The figure below depicts an approximation of the device's dimensions when cables and antennas are attached:



RMS

# REMOTE MANAGEMENT SYSTEM



## UNIFIED ENTERPRISE CONTROL. SIMPLIFIED.

### One Integrated Ecosystem

**Your complete networking solution:** TAP Access Points, SWM/TSW Switches, and the power of RMS – all working together on one secure platform.

– Vendor-Neutral Management: RMS manages Teltonika and 3rd-Party networking devices from a single platform.

– No Hardware Controllers: Save cost and complexity. Manage everything through RMS or local OS.

– Enterprise OS: RutOS & TswOS come with built-in VPN, VLAN/QoS, enhanced security, and powerful automation tools.

### Unmatched Remote power

– **RMS Access Included:** Get two years of free remote monitoring and configuration immediately upon purchase.

– **Interactive Network Map:** Visual 2D topology for faster diagnostics and configuration directly from the map.

– **Extend Your Reach:** Securely access any device behind your network through RMS Connect (cameras, PLCs, servers, etc.) extending management beyond our hardware.