

# MegaEdge

## PCIe Series AIP-KQ67-A1



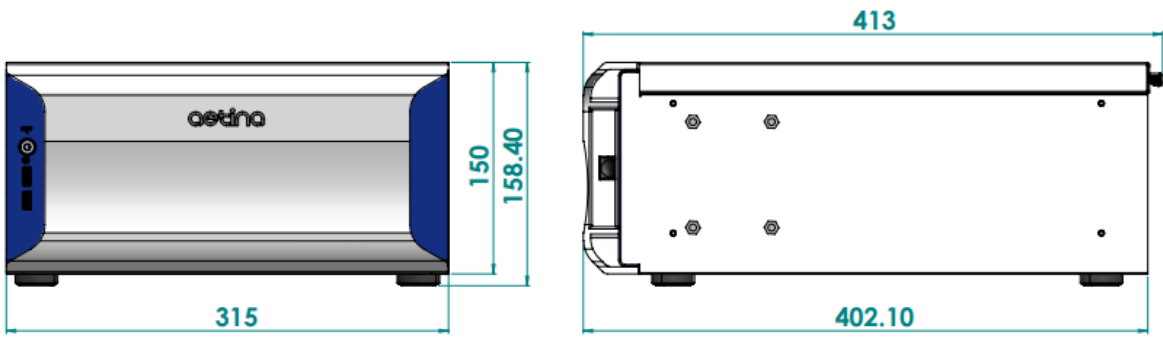
### Features

- Featuring with NVIDIA® RTX PRO 6000 Blackwell Max-Q
- Intel® 12/13/14th Gen. processor with Intel Q670E chipset
- Support Four DDR5 U-DIMM up to 192GB
- Multiple Expansion: 1 PCIe16 support Gen5, 2 PCIe4, 1 PCIe2, 1x M.2 M Key, 1x M.2 E Key
- Multiple I/O: 4 LAN(1x 1GbE, 3 2.5GbE), 1 USB3.2 Gen2x2(Type C), 6 USB3.2 Gen2x1(Type A)

### Specifications

Model Name	AIP-KQ67-A1
CPU	12/13/14 <sup>th</sup> Gen. Intel® Core™ i9/i7/i5 Processor up to 125W
Graphics	Intel® UHD Graphics 770
Chipset	Intel Q670E Chipset
System Memory	Four 288-pin U-DIMM up to 192GB(4000MHz with 4 DIMM)
Storage	2 x 2.5" SATA SSD(Only 500W) 1 x M.2 2280 M Key
Expansion Slots	1 x PCIe16 Gen5
	2 x PCIe4
	1 x PCIe2
	1 x M.2 2230 E Key
Power Button	Power Button(Front I/O)
DP++	2 x DP++, resolution up to 4K @ 60Hz
HDMI	1 x HDMI, resolution up to 8K @60Hz
USB	2 x USB 2.0(Front I/O)
	6 x USB 3.2 Gen2x1 (Type-A), up to 10G 1 x USB 3.2 Gen2x2 (Type-C), up to 20G
RJ45	4 (1 x1GbE, 3 x2.5GbE, support by PCH)
Audio	3 x Jack support Line out/Line in/Mic in
Power Input /Connector	500W: AC 100-240V, 60~50 Hz, 8-4A
	850W: AC 100-240V, 60~50 Hz, 10-6A, FLEX ATX PSU
Security	TPM 2.0
Power Output Wattage	500W PSU(850W Option)
Operating Temperature	Standard SKU: -10°C~50°C with 0.5m/s air flow (w/o GPU)
Storage Temperature	-20 ~ 80°C
Relative Humidity	95% @ 40°C Related Humidity, Non-condensing
Vibration (Operating)	1Grms
Shock (Operating)	10G (with 11ms duration, half sine wave)
Dimension(D x W x H)	413 x 315 x 159mm
GPU Card support Dimension (D x W x H)	Based on NVFF5.0
	39 x 312 x 112 mm (for Dual slots card) 19 x 312 x 112 mm (for Single Slot card)
OS Support	Windows 11 IOT/ Ubuntu 22.04/24.04
Net Weight	10kg
Certification	CE/FCC/LVD/UKCA/RoHS

### System & Mounting Dimension



### I/O Layout



### Ordering Information

Model name	Description
AIP-KQ67-A1	Bare system with 500W Flex ATX PSU, 65W CPU Cooler and 8x SATA screws ,(w/o CPU, RAM, SSD, GPU card)
	Bare system with 850W Flex ATX PSU ,125W CPU Cooler, (w/o CPU, RAM, SSD, GPU card)

### Accessory (Optional)

Model name	Part No.	Description
US POWER CABLE	32-010000-0005	US POWER CORD SVT 18AWG 3C SL-2+SL-3 CABLE 1800mm BLACK 105°C
EU POWER CABLE	32-010000-0006	EU POWER CORD H05VV-F 0.75mm2/3G SL-6+SL-3 CABLE 1800mm BLACK
PSE POWER CABLE	32-010000-0008	PSE SL-2+SL-3 CABLE 1800mm BLACK