

AI Workstation MegaEdge

PCIe Series AIP-FR68S



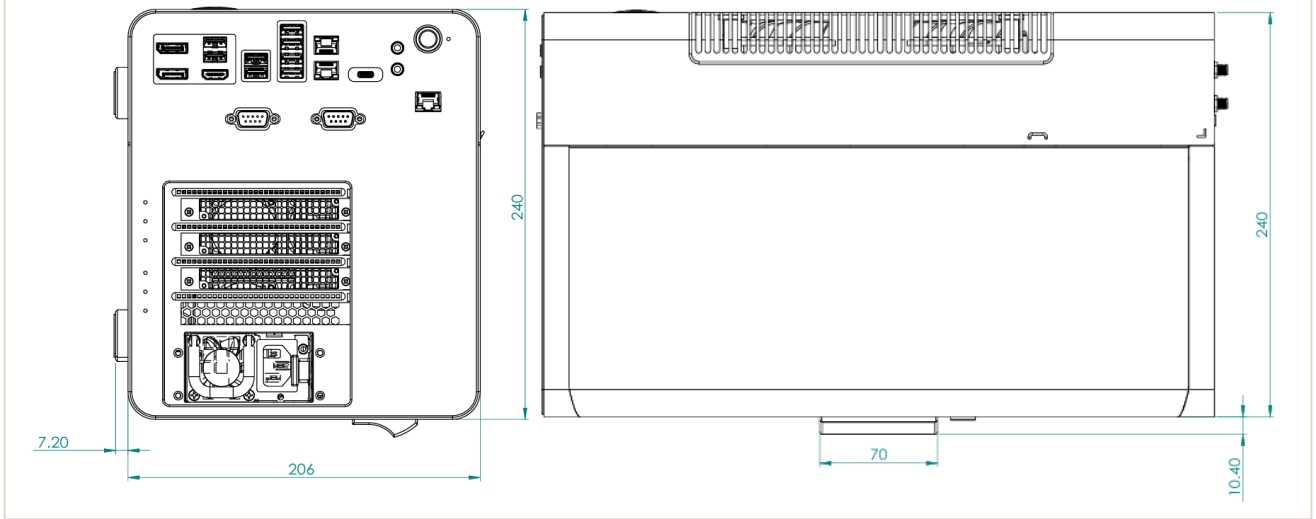
Feature

- **PCIe Gen5 x16 Support** : Provides PCIe Gen5 x16 compatibility for the seamless integration of the latest NVIDIA® RTX PRO™ 6000 Blackwell Workstation Edition.
- **Integrated PCIe Gen5 Switch** : Incorporates a PCIe Gen5 switch to enable consolidated computing across multiple Qualcomm® Cloud AI 100 Ultra accelerator cards.
- **Integrated Swappable 2000W Power Supply** : Features an integrated, swappable 2000W power supply, ensuring sufficient capacity to support various PCIe GPUs and AI accelerator cards.
- **Built-in GPU Card Holder** : Includes a built-in GPU card holder engineered to maintain optimal stability even in rugged operating conditions.

Specifications

Model Number	AIP-FR68S-A1
CPU	12/13/14 th Gen. Intel® Core™ i9/i7/i5 Processor up to 65W
Graphics	Intel® UHD Graphics 770
Chipset	Intel® R680E Chipset
System Memory	4 x DDR5 288-pin U-DIMM up to 192G
Storage	2 x 2.5" SATAIII SSD (RAID 0/1) 1 x M.2 M-Key Slot, Support PCIe Gen4 x4 for NVME/SATA, Size 2280 1 x M.2 M-Key Slot, Support PCIe Gen4 x4 for NVME, Size 2280
USB	8 x USB 3.2 Gen2 x 1 (Type-A) 1 x USB 3.2 Gen2 x 2 (Type-C)
LAN	2 x 2.5G RJ-45 Ethernet
Serial port	2 x RS-232/422/485 (COM1/2, DB9, Default RS-232)
Display	1 x HDMI 2.0 2 x DP++ 1.4
Expansion Slots	1x M.2 E-Key 2230 (USB2.0/PCIe) 1x M.2 B-Key 3052(USB2.0/USB3.2)
PCIe Slots	Qualcomm SKU: 3x PCIe Gen5 x16 (PCIe x16 slots) (w/PCIe Gen5 Switch) NVIDIA SKU : 1x PCIe Gen5 x16 or Gen5 x8 (PCIe x16 slot) 1x PCIe Gen5 x8 (PCIe x16 slot) 1x PCIe Gen4 x4 (PCIe x4 slot)
SIM Slot	1 x Nano SIM slot
Audio	1 x Line-out, 1 x Mic-in
Button	1 x Power button
Indicator	PCIe Slot-1&2 (POWER/FAN/TEMP)
Power Consumption	Full loading : up to 2,000 Watts
Power Input /Connector	AC-in 110~220VAC 1,000W: 100~127V, 12A 2,000W: 220~240V, 10A
Dimension (Wx Dx H)	206 (H) x 240 (W) x 400 (L) mm
Mounting	Wall mount / Desk mount
Net Weight	net Weight : 14.45 kg
Vibration	1Grms ,IEC60068-2-64,Random,5 ~ 500 Hz ,1Hr / Axis (operation, w/o PCIe Card)
Shock	10G, IEC 60068-2-27, Half Sine, 11 ms Duration (operation, w/o PCIe Card)
Temperature	Operating Temp.: 0°C ~ +50°C (32°F ~ 122°F)(w/o GPU) Operating Temp.: 0°C ~ +40°C (32°F ~ 122°F)(w/ GPU) Storage Temp.: -40°C ~ +85°C (- 40°F ~ 185°F)
Humidity	95% @ 40°C Related Humidity, Non-condensing
OS Support	Windows 11 IOT/ Ubuntu 22.04/24.04
Security	TPM 2.0
Certification	CE / FCC Class A / UKCA / LVD / RoHS

System & Mounting Dimension



Ordering Information

Model name	Description
AIP-FR68S-A1QC	AIP-FR68S-A1QC Bare system w/2,000W CRPS power supply (w/o CPU, RAM, SSD, GPU card)
AIP-FR68S-A1NV	AIP-FR68S-A1NV Bare system w/2,000W CRPS power supply (w/o CPU, RAM, SSD, GPU card)

GPU Card (Optional)

Model	Part No.	Description
Qualcomm Cloud AI 100 Ultra accelerator cards	91-02QUAL-0000	Qualcomm Cloud AI 100 Ultra, PCIE4.0 16X, 128G LPDDR4X, PASSIVE 150W, PCIE FH3/4L.
NVIDIA RTX PRO 6000 Blackwell Workstation Edition 96GB	61-026000-B001	PCIE Gen5.0 x16, NVIDIA RTX PRO 6000, 96GB GDDR7, 4x DP2.1b, Dual slot, full height, Active thermal, 600W, 0°C to +40°C
NVIDIA RTX PRO 6000 Blackwell MAX-Q Workstation Edition 96GB	61-026000-B000	PCIE Gen5.0 x16, NVIDIA RTX PRO 6000, 96GB GDDR7, 4x DP2.1b, Dual slot, full height, Active thermal, 300W, 0°C to +40°C

